

STORM BALANCED

Unrivalled
weather sealing

STORM BALANCED

HEAVY DUTY FRICTION
HINGES FOR COMMERCIAL
APPLICATIONS

- Self balancing hinge range
- Unrivalled weather sealing
- Capable of achieving high gust loading
- Austenitic 304* stainless steel throughout
- Superior carrying capacity
- 10 year guarantee (details available upon request)

The Storm hinge range has been designed to exceed the requirements of AAMA 101/I.S.2 - 97, specifically high gust load rating. In addition to exceeding this high performance standard, Storm also benefits from excellent weathersealing from its unique asymmetric metal point and cap as well as smooth reliable operation.

Full technical and sales support which will cover consultancy per project basis and on-site advice when necessary.



▼ **HEAVY DUTY FRICTION SLIDERS**
Stainless steel composite sliders to give maximum strength yet perform with the smoothest of action



▲ **STEEL END LOCATOR**
A stainless steel end cap automatically directs the end point smoothly and firmly towards the closed position

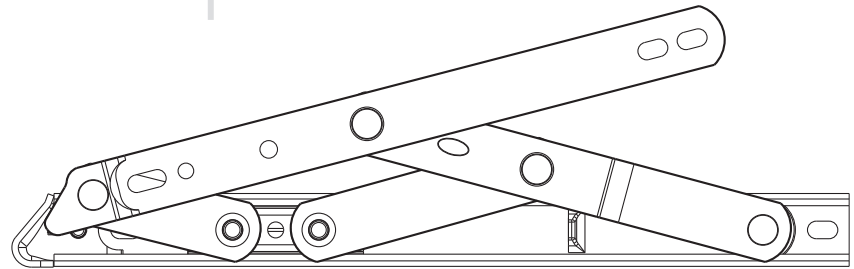
▼ **OPTIONAL ADJUSTMENT**
Slide-on end block for simple, accurate cam adjustment



* Austenitic (was 304) stainless steel to BS EN ISO 10088/2 Grade 1.4301 for enhanced corrosion resistance.

STORM BALANCED

Product Specification



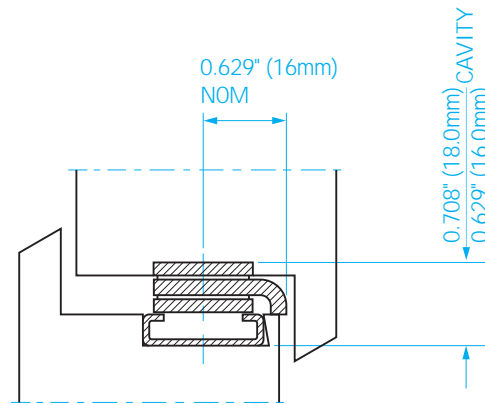
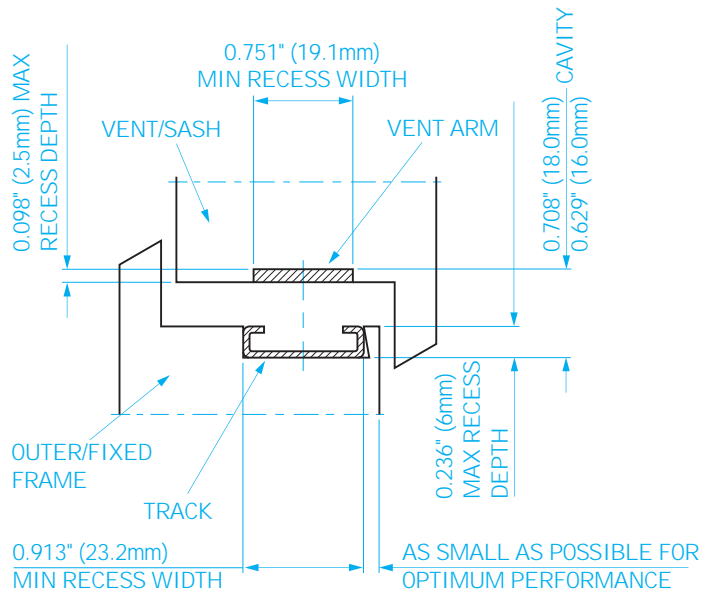
PRODUCT SPECIFICATION

- Complies to the requirements of AAMA 904.1 - 87, 910 - 93 and 101/I.S.2 - 97)
- Available in 10", 12", 16", 22" and 26" projecting and 10" and 16" casement
- Suitable for vents 11" to 7'2" high
- Standard, offset, highline and loose rivet variants available
- Composite slider

OPTIONAL FEATURES

- Add on adjustment device

Balance is achievable at low opening angles, < 10°, by additional friction through pivot points and therefore does not require additional supports.



NOTE ADDITIONAL LINK FORM ON STORM26 HINGES ONLY.

STORM BALANCED

Hinge Code	Hinge Length (in/mm)	Max Vent Weight (lb/Kg)	Max Vent Height (in/mm)	Min Vent Height (in/mm)	Opening Angle (+/- 2.5°)	Number of cycles ('000's)
STORMB10	10/262	81/37	25/635	11/267	50°	10
STORMB12	12/313	99/45	31/787	25/635	50°	10
STORMB16	16/415	121/55	43/1090	31/787	50°	10
STORMB22	22/567	165/75	59/1500	43/1090	45°	10
STORMB26	26/680	220/100	79/2000	50/1270	20°	10
Side Hung			Max Vent Width	Min Vent Width		
STORM10	10/262	83/38	26/660	12/300	85°	10
STORM16	16/415	103/47	33/838	18/450	90°	10



Due to our policy of continual improvement we reserve the right to alter specifications without notice. It is the responsibility of the window manufacturer to ensure that the finished window meets the required performance and safety specification.

All transactions are subject to our standard conditions of supply, which are available on request.