

STORM

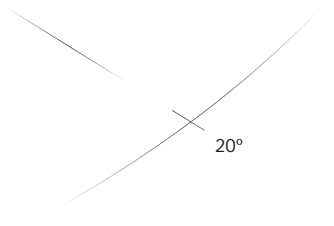
Unrivalled weather sealing

STORM HEAVY DUTY FRICTION HINGES FOR COMMERCIAL APPLICATIONS

- Unrivalled weather sealing
- Capable of achieving AAMA 101/I.S.2 - 97 section 4.1 AW90 rating (135 lb/ft² 6,470 Pa)
- Minimises inventory
- Austenitic 304* stainless steel throughout
- Superior carrying capacity
- 10 year guarantee (details available upon request)

The Storm hinge range has been designed to exceed the requirements of AAMA 101/I.S.2 - 97, specifically gust loading to AW90 rating. In addition to exceeding this high performance standard, Storm also benefits from excellent weathersealing from its unique asymmetric metal point and cap as well as smooth reliable operation.

Full technical and sales support which will cover consultancy per project basis and on-site advice when necessary.



▼ **STEEL END LOCATOR**
A stainless steel end cap automatically directs the end point smoothly and firmly towards the closed position



▼ **OPTIONAL ADJUSTMENT**
Slide-on end block for simple, accurate cam adjustment

▲ **HEAVY DUTY FRICTION SLIDERS**
Stainless steel composite sliders to give maximum strength yet perform with the smoothest of action

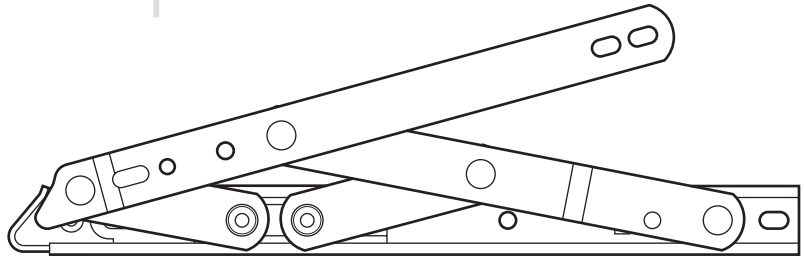


* Austenitic (was 304) stainless steel to BS EN ISO 10088/2 Grade 1.4301 for enhanced corrosion resistance.



STORM

Product Specification



PRODUCT SPECIFICATION

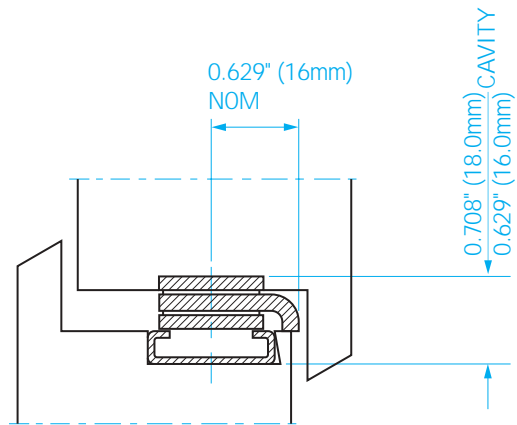
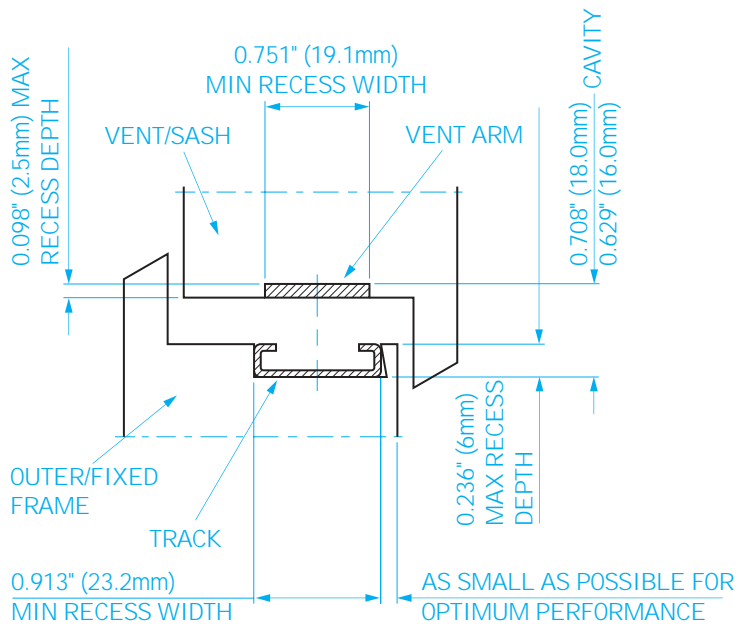
- Complies to the requirements of AAMA 904.1 - 87, 910 - 93 and 101/I.S.2 - 97)
- Available in 10", 16", 22" and 26" projecting and 10" and 16" casement
- Suitable for vents 1' to 7'2" high
- Standard, offset, highline and loose rivet variants available
- Composite slider

OPTIONAL FEATURES

- Drop in limit stops
- Add on adjustment device

Note: As with all types of friction hinges, friction cannot be provided until the slider moves, therefore when limiting the opening of top hung vents to angles of 10° or less, a separate device will be required to prevent the window from closing.

Note: It is strongly recommended that large awning/projected top hung vents are restricted to opening angles of less than 45°. Between 30° to 45° the window will become self closing. A separate restrictor device will be required e.g. SR8 and SR16.



NOTE ADDITIONAL LINK FORM ON STORM26 HINGES ONLY.

STORM

Hinge Code	Hinge Length (in/mm)	Max Vent Weight (lb/Kg)	Max Vent Height (in/mm)	Min Vent Height (in/mm)	Opening Angle (+/- 2.5°)	Number of cycles ('000's)
Storm10	10/262	110/50	30/762	11/280	75°	10
Storm16	16/415	138/63	44/1120	18/457	90°	10
Storm22	22/567	165/75	52/1321	24/610	90°	10
Storm26	26/680	265/120	87/2200	50/1270	20°	10
Casement			Max Vent Width	Min Vent Width		
Storm10	10/262	76/34.5	26/660	11/280	75°	10
Storm16	16/415	103/47	33/838	18/450	90°	10



Due to our policy of continual improvement we reserve the right to alter specifications without notice. It is the responsibility of the window manufacturer to ensure that the finished window meets the required performance and safety specification.

All transactions are subject to our standard conditions of supply, which are available on request.