

HINGES

IMPERIAL VENT SIZE AND WEIGHT CHART - STORM Hinges

Hinge Code Awning/Projecting	Max. Vent Weight (lb)	Min. Vent Height (in)	Max. Vent Height (in)	Max. Vent Width (in)	Opening Angle (+/- 2.5°)
STORM10	110	11	30	-	75°
STORM16	138	18	44	-	90°
STORM22	165	24	52	-	90°
STORM26	265	50	87	-	20°
Hinge Code Casement		Min. Vent Width (in)			
STORM10	76	11	-	26	75°
STORM16	103	18	-	33	90°
STORME16	103	18	-	33	90°

Note: Vent height/width is measured from rebate to rebate (not overall size or outer frame size) on conventional windows or glass size on structurally glazed windows e.g. curtain wall panels whichever is the greater dimension. For maximum vent height and widths not stated, consult profile manufacturers for recommendations on requirements of system strength and sealing.

Note: Above sizes/weights also apply to variants H19 (Highline) and BX (STERLING® Offset Series).

Note: For loose rivet versions, used with opening devices, please contact Securistyle for advice on maximum sizes and weights.

Storm Awning/Projecting Hinges: It is strongly recommended that large windows are restricted to opening angles of less than 45°. Between 30° to 45° the window will become self closing, except for windows using the Storm26 hinge. A separate restrictor device may be required e.g. SR8 and SR16 see Specials section.

Restricting Drop-in Limit Stops: Securistyle also provide drop-in limit stops for the Storm10, 16 and 22. These restrict the opening angle to 20/30/45 degrees.

Adjustment Device: Securistyle also supply an adjustment device (Part No. S7275) for aided hinge adjustment. This device is designed for easy installation which gives adjustment on the track side of the hinge.

Note: As with all types of friction hinges, friction cannot be provided until the slider moves, therefore when limiting the opening of vents to angles of 10° or less, a separate device may be required to prevent the window from closing.

It is the responsibility of the user to ensure that this document is at the latest issue.

Due to our policy of continual product improvement we reserve the right to alter specifications without notice.

It is the responsibility of the window manufacturer to ensure that the finished window meets the required performance and safety specification.



HINGES

METRIC SIZE AND WEIGHT CHART - STORM Hinges

Hinge Code Awning/Projecting	Max. Vent Weight (kg)	Min. Vent Height (mm)	Max. Vent Height (mm)	Max. Vent Width (mm)	Opening Angle (+/- 2.5°)
STORM10	50	280	762	-	75°
STORM16	63	457	1120	-	90°
STORM22	75	610	1321	-	90°
STORM26	120	1270	2200	-	20°
Hinge Code Casement		Min. Vent Width (mm)			
STORM10	34.5	280	-	660	75°
STORM16	47	450	-	838	90°
STORME16	47	450	-	838	90°

Note: Vent height/width is measured from rebate to rebate (not overall size or outer frame size) on conventional windows or glass size on structurally glazed windows e.g. curtain wall panels whichever is the greater dimension. For maximum vent height and widths not stated, consult profile manufacturers for recommendations on requirements of system strength and sealing.

Note: Above sizes/weights also apply to variants H19 (Highline) and BX (STERLING® Offset Series).

Note: For loose rivet versions, used with opening devices, please contact Securistyle for advice on maximum sizes and weights.

Storm Awning/Projecting Hinges: It is strongly recommended that large windows are restricted to opening angles of less than 45°. Between 30° to 45° the window will become self closing, except for windows using the Storm26 hinge. A separate restrictor device may be required e.g. SR8 and SR16 see Specials section.

Restricting Drop-in Limit Stops: Securistyle also provide drop-in limit stops for the Storm10, 16 and 22. These restrict the opening angle to 20/30/45 degrees.

Adjustment Device: Securistyle also supply an adjustment device (Part No. S7280) for aided hinge adjustment. This device is designed for easy installation which gives adjustment on the track side of the hinge.

Note: As with all types of friction hinges, friction cannot be provided until the slider moves, therefore when limiting the opening of vents to angles of 10° or less, a separate device may be required to prevent the window from closing.

It is the responsibility of the user to ensure that this document is at the latest issue.

Due to our policy of continual product improvement we reserve the right to alter specifications without notice.

It is the responsibility of the window manufacturer to ensure that the finished window meets the required performance and safety specification.



HINGES

FITTING INSTRUCTIONS: Fixing Hole Reference

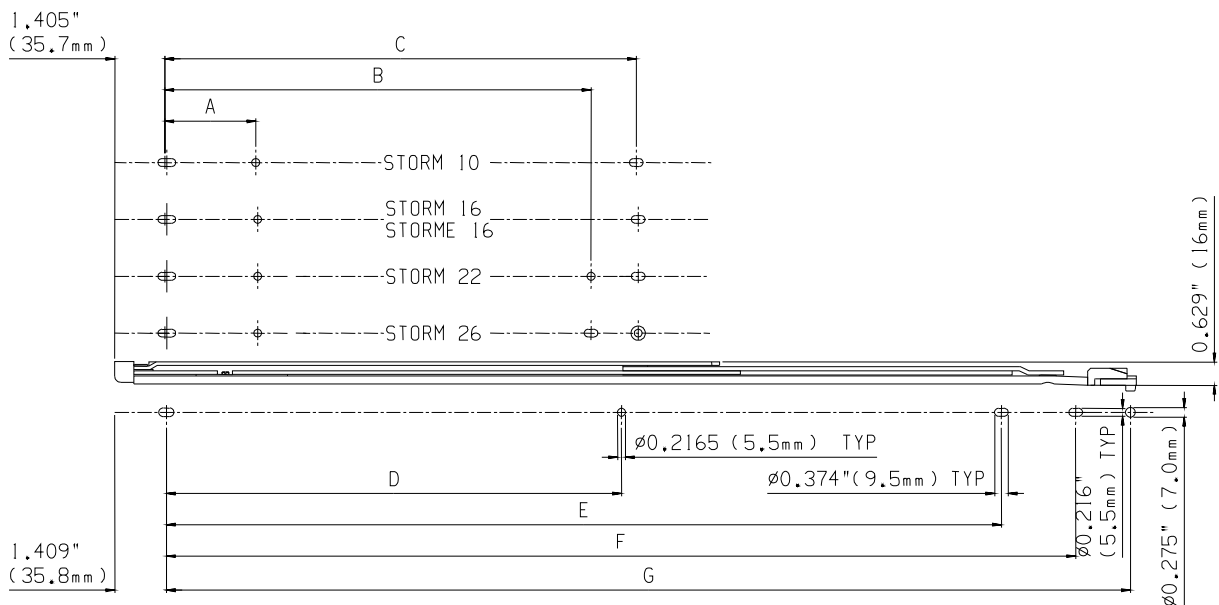
Fixing Hole Centre Reference Chart - STORM Hinges

Dimensions

Description	A	B	C	D	E	F	G
STORM10	1.338 (34.0)	-	6.5 (165.1)	5.109 (129.8)	7 (177.8)	8.594 (218.2)	10.098 (256.5)
STORM16	2.559 (65.0)	-	9.496 (241.2)	7.429 (188.7)	11.968 (304.0)	14.594 (370.6)	16.102 (409)
STORME16	2.559 (65.0)	-	9.496 (241.2)	4.980 (126.5)	11.968 (304.0)	14.594 (370.6)	16.102 (409)
STORM22	2.559 (65.0)	6.496 (165.0)	12.496 (317.4)	9.775 (248.3)	16.468 (418.3)	20.590 (523.0)	22.098 (561.3)
STORM26	2.559 (65.0)	11.740 (298.2)	14.417 (366.2)	12.547 (318.7)	23.011 (584.5)	25.059 (636.5)	26.566 (674.8)

Dimensions out of Brackets = **Inches**
 Dimensions in Brackets = **Millimetres**

Note: Above hole fixings also apply for H (Highline) & BX (Offset) variants.



Not to Scale, All dimensions in inches & mm

It is the responsibility of the user to ensure that this document is at the latest issue.

Due to our policy of continual product improvement we reserve the right to alter specifications without notice.

It is the responsibility of the window manufacturer to ensure that the finished window meets the required performance and safety specification.



Securistyle Ltd.
 Kingsmead Industrial Estate
 Princess Elizabeth Way, Cheltenham,
 Gloucestershire, GL51 7RE
 Tel: +44 (0) 1242 221200
 Fax: +44 (0) 1242 520828
 Web: www.securistyle.co.uk