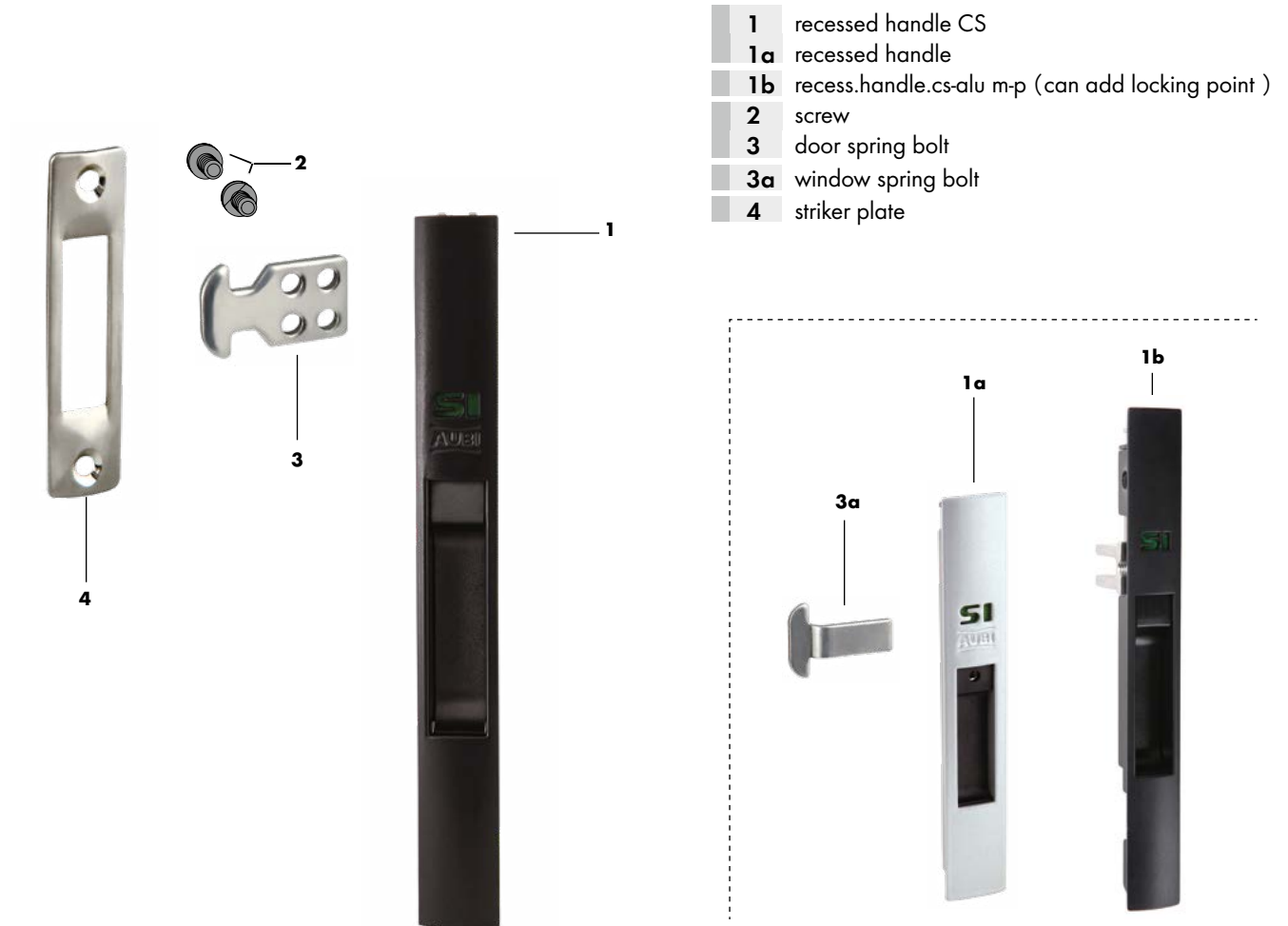


aluminium sliding systems

ALU CS locking hook for windows and doors

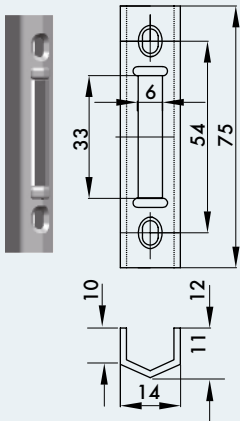


- 1** recessed handle CS
- 1a** recessed handle
- 1b** recess.handle.cs-alu m-p (can add locking point)
- 2** screw
- 3** door spring bolt
- 3a** window spring bolt
- 4** striker plate

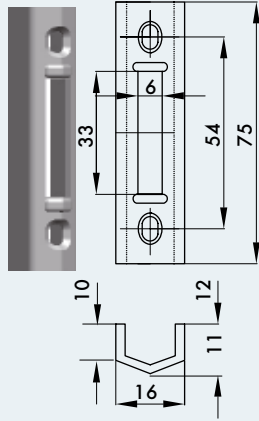
	drawing number	description	part number							quantity
			silver	white	brown	black	special color	mill	titan matt dark	
general configuration	1	ALU CS recessed handle	NHIM0030-OK7520	NHIM0030-004020	NHIM0030-033020	NHIM0030-023020	NHZM0030-OV0020	—	NHIM0030-035020	1
	1a	ALU CS recessed handle	NHIM0010-0K7010	NHIM0010-004010	NHIM0010-033010	NHIM0010-023010	—	—	—	1
	1b	ALU CS recess.handle.cs-alu m-p	NHIM0040-0K7020	NHIM0040-004020	NHIM0040-033020	NHIM0040-023020	NHIM0040-OV0020	NHIM0040-000020	NHIM0040-035020	
	2	screw	provided by the customer							2
according to profile	3	ALU CS door spring bolt	refer to price list							1
	3a	ALU CS window spring bolt	refer to price list							1
	4	ALU CS striker plate	refer to price list							1

Note: spring bolt and striker plate are selected according to profile.

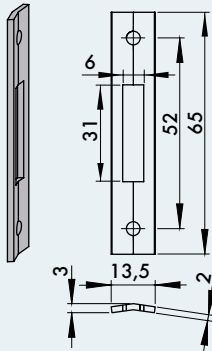
ALU CS striker plate and spring bot



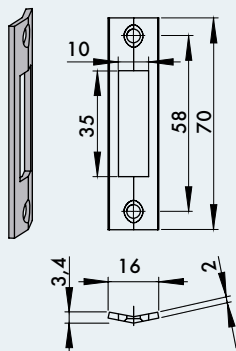
striker plate A 0276



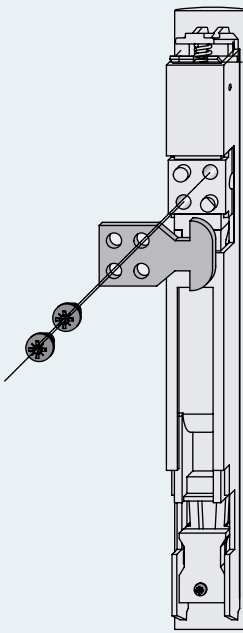
striker plate A 0275



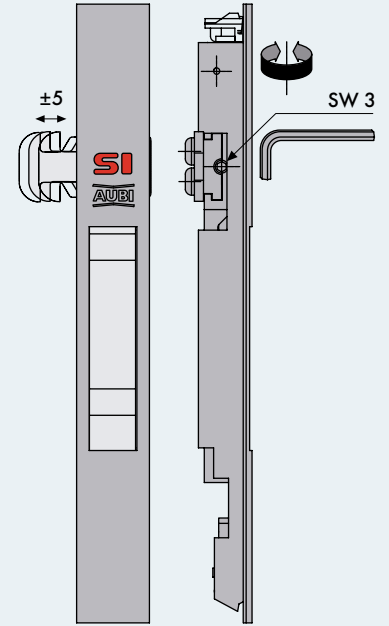
striker plate A 0274



striker plate A 0272



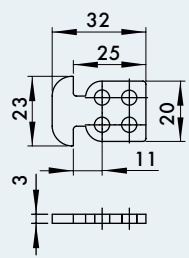
use screw to fix the striker plate



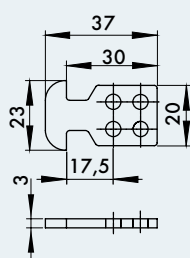
use hex wrench SW 3 adjusting spring bolt

door spring bolt

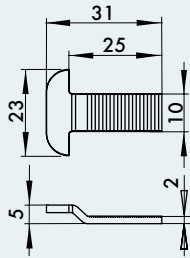
window spring bolt



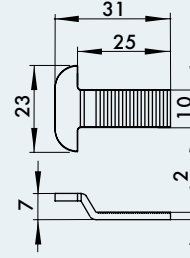
spring bolt A 0275



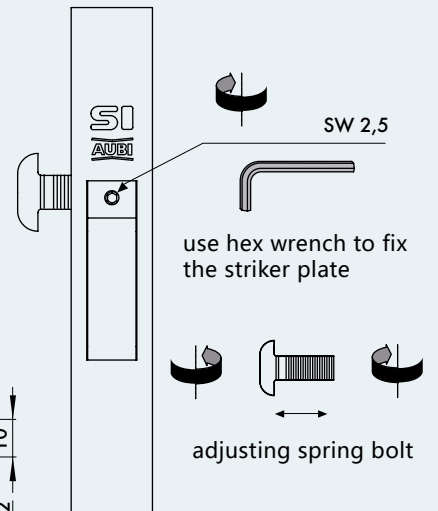
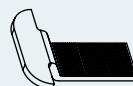
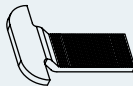
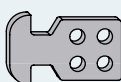
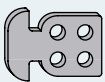
spring bolt A 0272



spring bolt A 3105

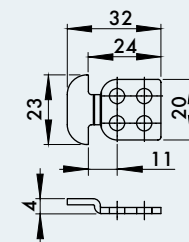


spring bolt A 3107

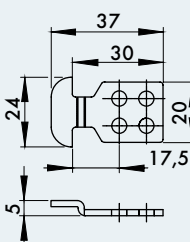


use hex wrench to fix the striker plate

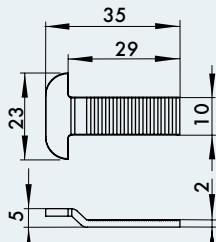
adjusting spring bolt



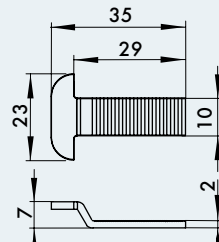
spring bolt A 0276



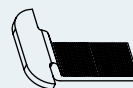
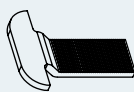
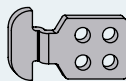
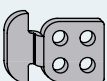
spring bolt A 0274



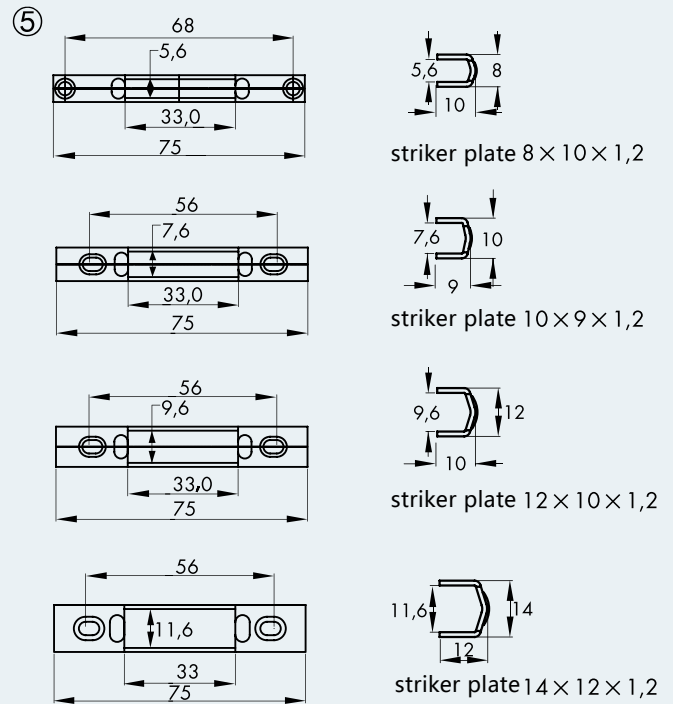
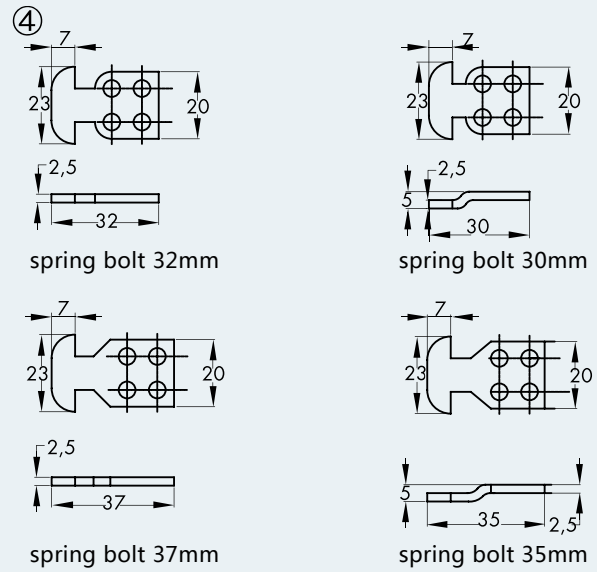
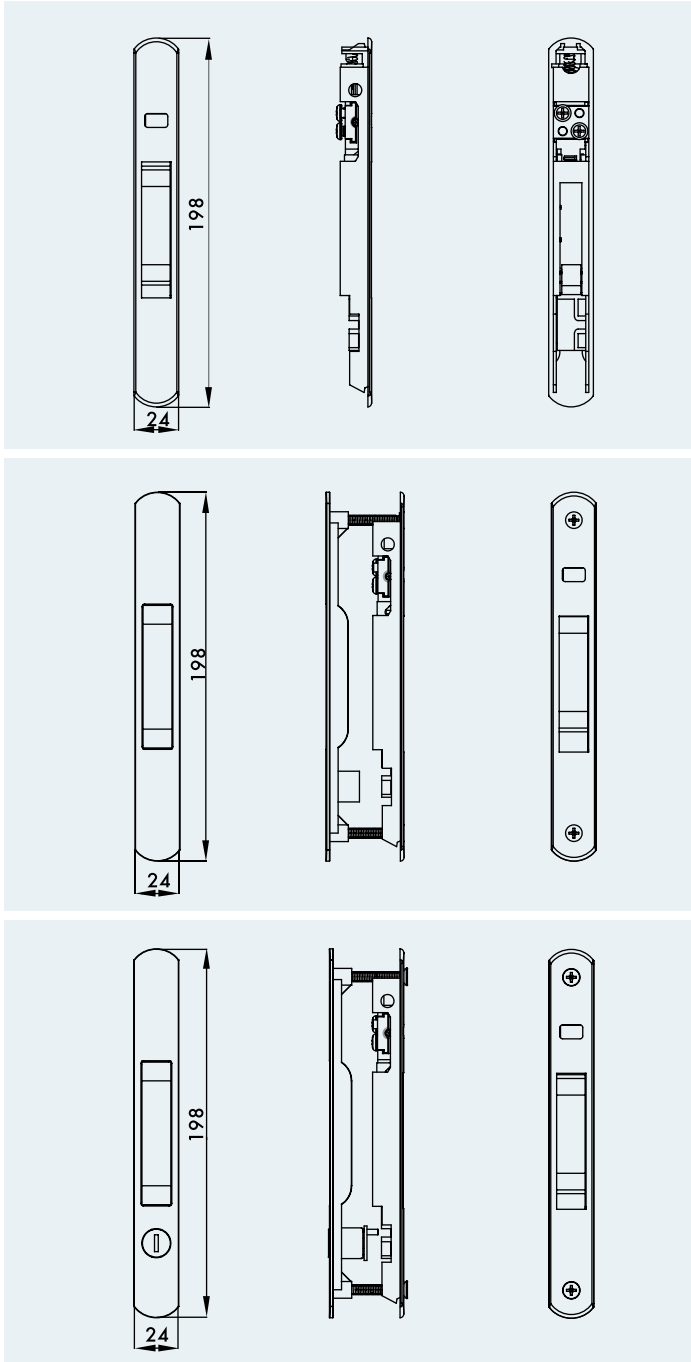
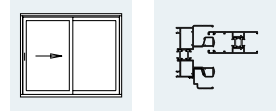
spring bolt A 3505



spring bolt A 3507



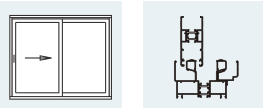
aluminium sliding window systems-recessed handle



drawing	description	part number					quantity	remark
		silver	white	brown	black	titan matt dark		
1	Single hook lock ALU CS	PCIM8000-0K7050	PCIM8000-004050	PCIM8000-033050	PCIM8000-023050	PCIM8000-035050	1	
2	Double hook lock ALU CS	PCIM8010-0K7050	PCIM8010-004050	PCIM8010-033050	PCIM8010-023050	PCIM8010-035050	1	
3	double lockable hook lock ALU CS	PCIM8020-0K7050	PCIM8020-004050	PCIM8020-033050	PCIM8020-023050	PCIM8020-035050	1	
4	spring bolt 32mm			PCZM8000-000080			1	
	spring bolt 30mm			PCZM8020-000080			1	
	spring bolt 37mm			PCZM8010-000080			1	
	spring bolt 35mm			PCZM8030-000080			1	
5	striker plate-U8*10			PCRM8020-100070			1	
	striker plate-U10*9			PCRM8030-100070			1	
	striker plate-U12*10			PCRM8000-100070			1	
	striker plate-U14*12			PCRM8010-100070			1	

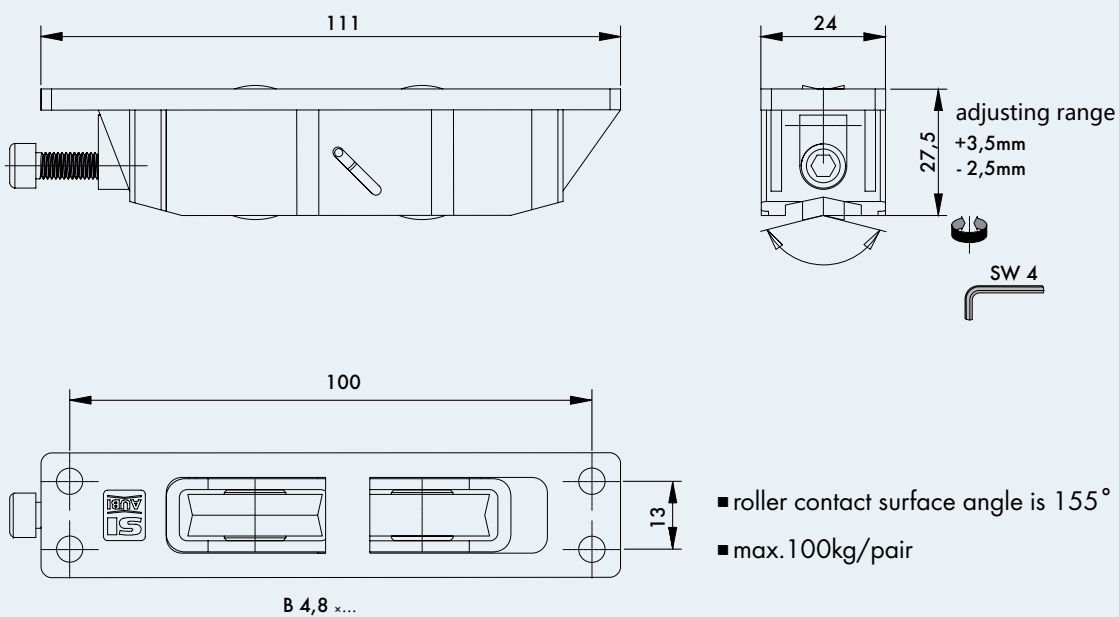
sliding hardware systems

ALU CS bogie wheel



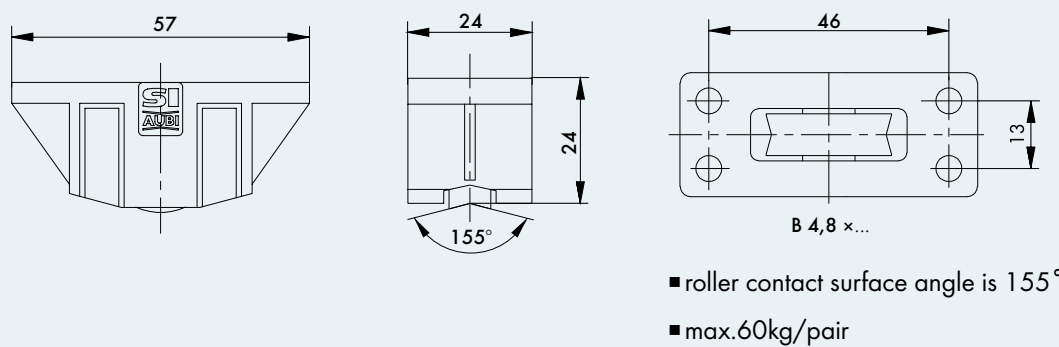
bogie wheel ALU CS 100

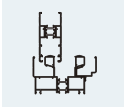
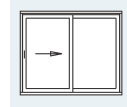
①



bogie wheel ALU CS 60

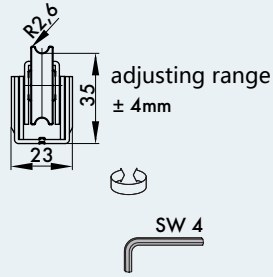
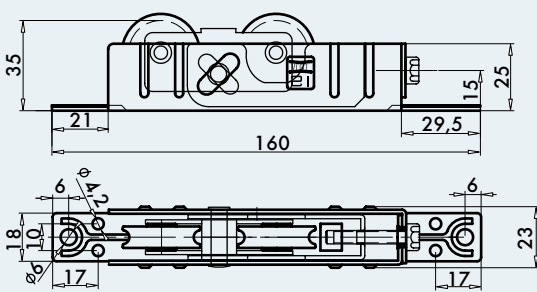
②





③

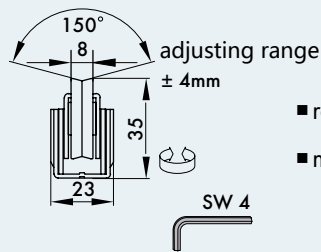
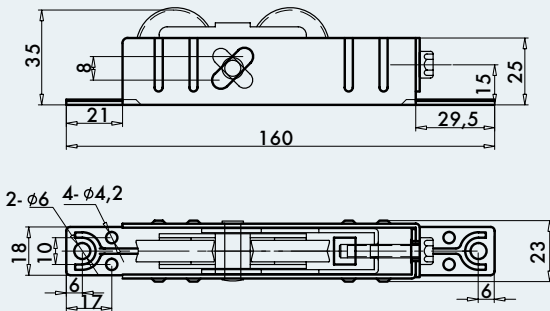
ALU CS 120kg Arc H35 bogie wheel



- roller contact surface angle is 150°
- max. 120kg/pair

④

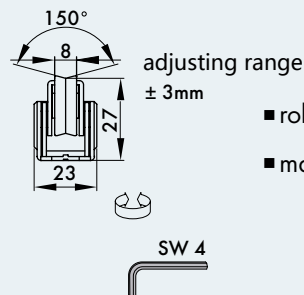
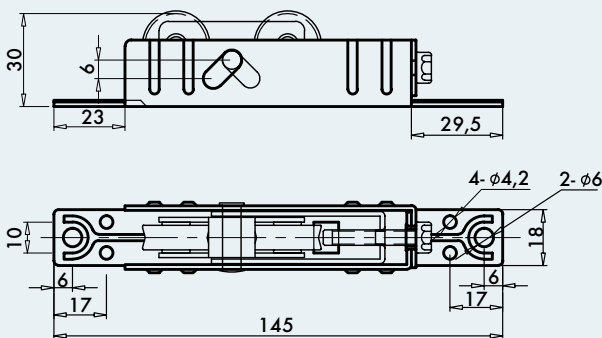
ALU CS 120kg Arc H35 bogie wheel



- roller contact surface angle is 150°
- max. 120kg/pair

⑤

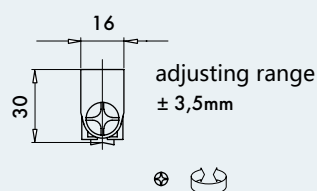
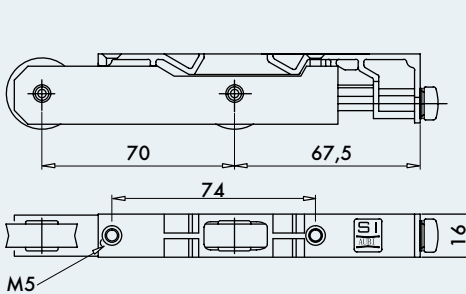
ALU CS 120kg Arc H27 bogie wheel



- roller contact surface angle is 150°
- max. 120kg/pair

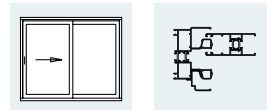
⑥

ALU CS 150kg Arc bogie wheel



- roller contact surface angle is 155°
- max. 150kg/pair

aluminium CS bogie wheel systems



⑦

160°
H±3mm
H24-50V

⑧

160°
H±3mm
H31-50V

⑨

160°
H±3mm
H24-100V

LM-CA 120kg
LM-CS 120kg V bogie wheel H27 K10
V bogie wheel 150kg

⑩

160°
H±3mm
H31-100V

part number	description	specification	max bearing	part number	quantity	remark
1	ALU-CS roller 100KG black		100	PLWM0010-099010	2...	
2	ALU-CS 60 roller black K40		60	PLWD0140-099150	2...	
3	ALU-CS 120kg Arc bogie wheel H35 K10		120	NLWD0040-100020	2...	
4	ALU-CSV bogie wheel H35 K10		120	NLWD0020-100020	2...	
5	ALU-CS bogie wheel H27		120	NLWD0030-100020	2...	
6	ALU-CS 150kg bogie wheel H30		150	NLWD0010-100020	2...	
7	V roller	24	50	PCLM8000-100070	2...	
8	V roller	31	50	PCLM8010-100060	2...	
9	V roller	24	100	PCLM8020-100060	2...	
10	V roller	31	100	PCLM8030-100060	2...	
11	bogie wheel for screen window		12	PCLM8040-100080	2...	

(only used conference, please consult Siegenia sales manager for specific hardware)