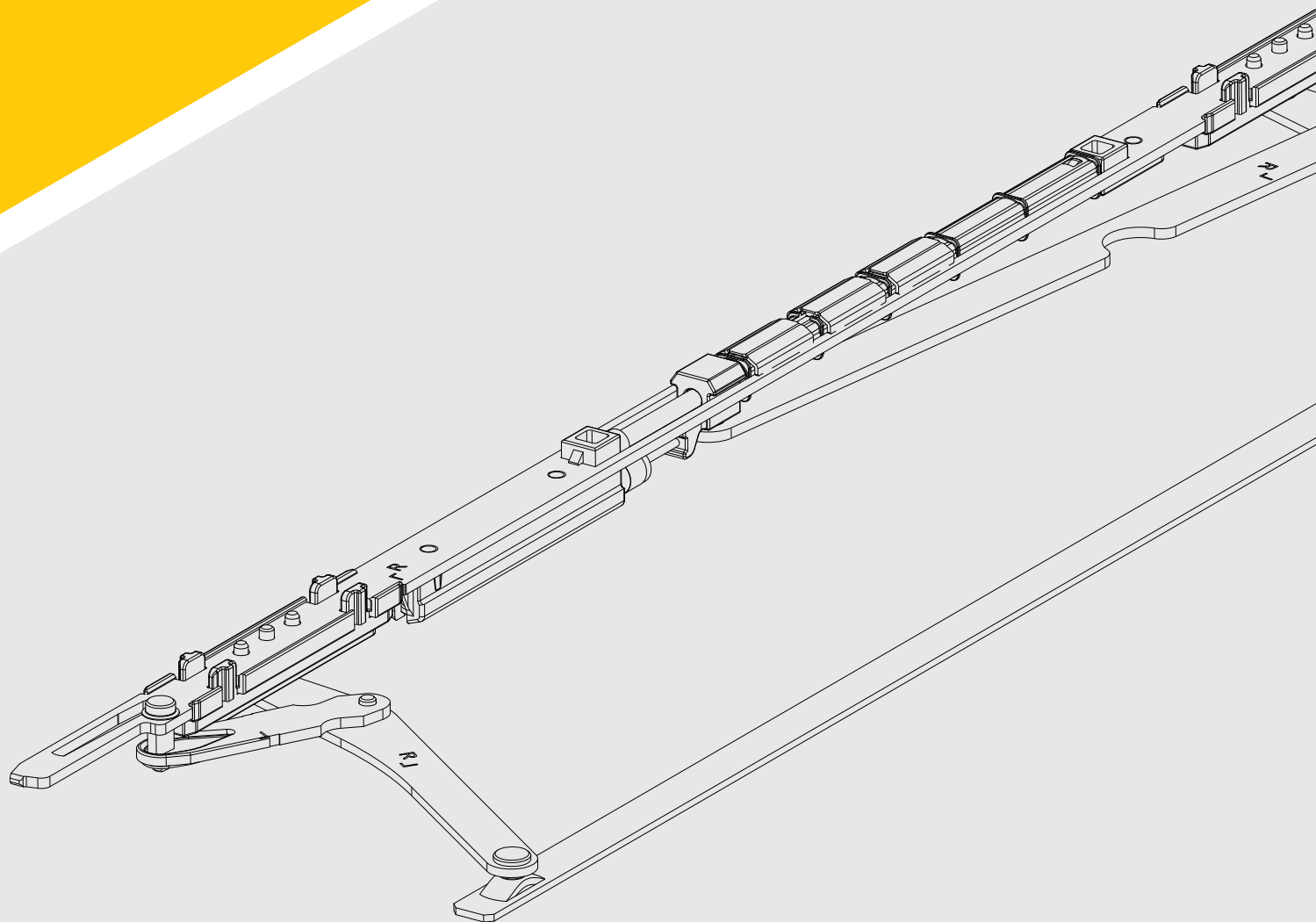


**ATRIUM® Alu-SP**  
**komfort**  
retract and slide





# **Parallel-Retract-Slide Fittings**

## **ATRIUM Alu-SP® komfort**

**Version 07/2021**

**You will find the latest catalogue version online  
on [www.HAUTAU.de](http://www.HAUTAU.de)**

**HAUTAU GmbH**  
P.O.Box 1151  
D 31689 Helpsen  
Phone 05724/393-0  
Telefax 05724/393-125  
Info@HAUTAU.de  
[www.HAUTAU.de](http://www.HAUTAU.de)

Printed in Germany · Reprint, even in excerpts, not without the publisher's approval.

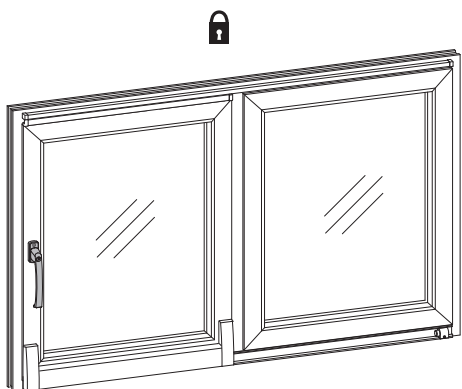
In consideration of progress, we reserve the right to apply construction modifications and to consequently change any figures, dimensions, weight specifications etc. The figures do not show items in their actual size and are also not of the same proportion.

# Contents

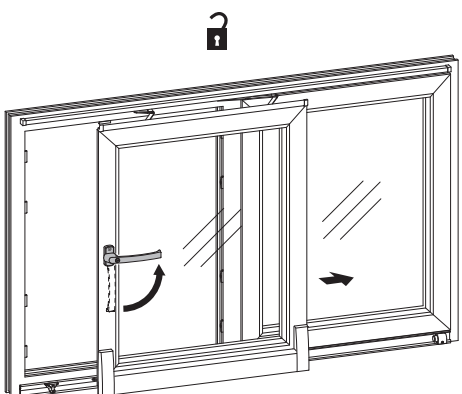
	Page
ATRIUM Alu-SP® komfort .....	6
Range of application ATRIUM Alu-SP® komfort .....	8
Sash arrangements, text for invitations of tenders .....	9
Order details and packing units, colour information .....	10
System requirements .....	11
Overview – contents of the packing units .....	12
<b>Fitting parts:</b>	
ATRIUM Alu-SP® komfort – 160 kg, locking system D10.....	14
ATRIUM Alu-SP® komfort TWIN – 200 kg, locking system D10.....	16
ATRIUM Alu-SP® komfort –160 kg, locking system D10, burglar protection in closed position OSL .....	18
ATRIUM Alu-SP® komfort TWIN – 200 kg, locking system D10, burglar protection in closed position OSL .....	20
ATRIUM Alu-SP® komfort –160 kg, locking system D10, OSL.....	22
ATRIUM Alu-SP® komfort TWIN – 200 kg, locking system D10, OSL.....	24
ATRIUM Alu-SP® komfort –160 kg, without locking system.....	26
ATRIUM Alu-SP® komfort TWIN – 200 kg, without locking system.....	28
ATRIUM Alu-SP® komfort –160 kg, for aluminium systems, with KS groove (16/12) .....	30
ATRIUM Alu-SP® komfort TWIN - 200 kg, for aluminium systems, with KS groove (16/12) .....	32
Gear types .....	34
Handles .....	36
Profiles in stock lengths/accessories and strikers / Profile related special parts .....	38
Mounting tools .....	40
Overview of documents .....	41



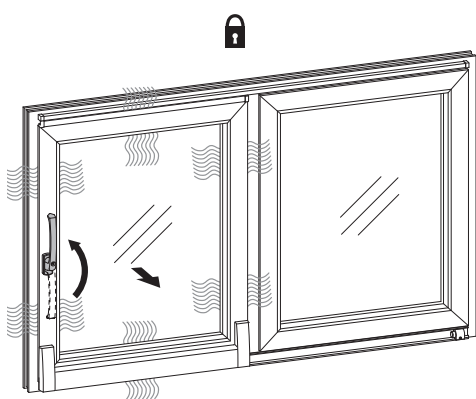
# ATRIUM Alu-SP® komfort for aluminium parallel retract slide elements with sash weights of up to 200 kg



Closed position



Slide position



Night vent position

### Unique comfort

The innovative, patented soft close mechanism of our ATRIUM Alu-SP® komfort automatically moves the sash to its closed position. Its intelligent stay system allows this product to open and close the sash smoothly and noiselessly.

ATRIUM Alu-SP® komfort is the superior fitting for high-quality sliding elements.

### Reliable operation

The innovative design of stays and bogies does away with faulty operations and the need to implement any additional safety devices against incorrect operation. The operation of this sliding sash is intuitive and safe – even if different users operate the sash. An absorber built into the stay system minimises the risk of sustaining crushing injuries.

### Healthy ventilation

Thanks to its all-around night ventilation feature, this sliding element will keep your rooms safe even if you are not at home, as the ventilation position is not visible from the outside. A natural exchange of air provides for a wholesome living climate and prevents the growth of mould.

### Tried and tested

ATRIUM Alu-SP® komfort is also equipped with:

- Bogies and a stay system that allows for opening widths of up to 117 mm in highly efficient heat insulating window systems.
- Cleaning brushes ensure a long lifespan and smooth operation.
- Pre-installed fitting parts provide for easier installation.
- All-around locking system for optimised sealing.
- TWIN bogies for sash weights of up to 200 kg.

# ATRIUM Alu-SP® komfort for aluminium parallel retract slide elements with sash weights of up to 200 kg

## Bogie design requiring only 35 mm of space, maximum roller diameter, concealed control system, and self-locking height adjustment

The bogies of the ATRIUM Alu-SP® komfort have a roller diameter of 28 mm and a closed housing but require only 35 mm of space. A concealed control system and the non-soiling guide block guarantee a long lifespan as well as easy and convenient operation. Only one tool is required to adjust the sash thanks to the self-locking height adjustment including safety clip.

## Running rail

Sash weights of up to 160 kg no longer require that the running rail be supported, provided the specified screw tightening torques are observed.

## Range of application

For aluminium systems with sash groove 15/20.

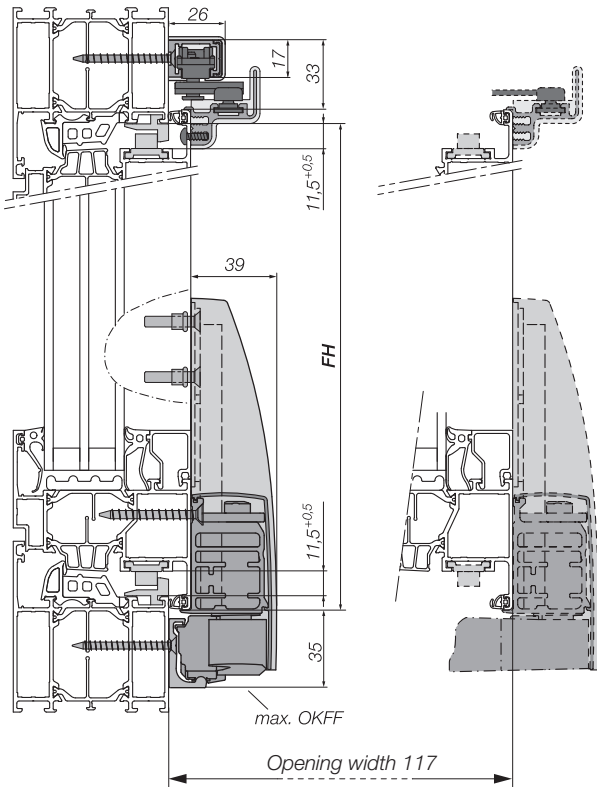
- Adjustable support arms make it possible to perfectly adjust the sash entry and sash exit to the different installation depths
- The newly designed packaging allows for a multitude of different variation options and keeps storage costs at a minimum
- Torx screws ensure that the fitting parts can be connected in a fast and secure manner

## The known benefits of the ATRIUM Alu-SP® komfort

- Top and bottom fitting parts reliably stop the sash in any opening position
- Cleaning brushes on the bogies ensure a long lifespan and smooth operation
- Short distance between supporting bolt and sash for perfect weight support and minimum stress on the sash profile
- Modern bogie cover



# Range of application ATRIUM Alu-SP® komfort ATRIUM Alu-SP® komfort TWIN



Vertical section aluminium

### Sash weights of up to 160 kg

Sash width (FB)	790 to 1,680 mm
Sash height (FH)	930 to 2,380 mm
Sash weight (FG)	max. 160 kg

### Sash weights of up to 200 kg (TWIN)

Sash width (FB)	1,280 to 2,000 mm
Sash height (FH)	930 to 2,700 mm
Sash weight (FG)	max. 200 kg

### Space requirements

Frame dimensional tolerance	
Running rail, bottom:	35 mm
Guiding rail, top:	33 mm
Running rail depth:	17 mm
Rebate step height:	at least 7 mm

Max. sash profile depth (FT) 87 mm  
Sash profile depths > 87 mm subject to technical approval (run-out curve, sash's centre of gravity)

### Important notes

The use of a spring stay is required for sash weights > 100 kg; applies to range of application FB > 930 mm.

Recommended height of the handle = center of the sash  
Variation depending of the profile possible.

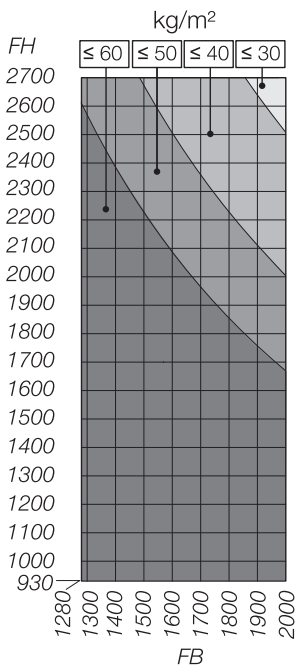
FH : FB = max. 2.5 : 1

No value must fall below or exceed the limits specified herein for the ranges of application. Please also follow the permissible application sizes, manufacturing instructions and processing guidelines as provided by the profile manufacturers.

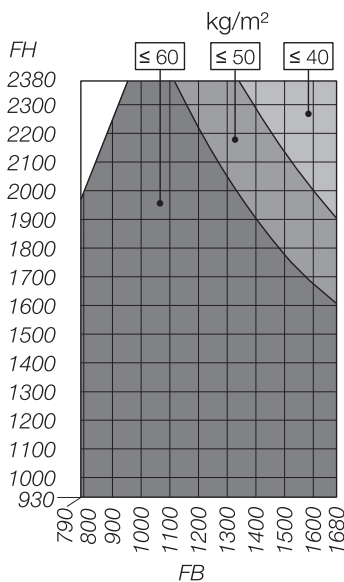
Take appropriate precautions to prevent the element from being overstrained by forced closing in special environments such as schools, kindergartens, etc. Please note that the elements are also susceptible to damage when used in moving objects such as trains or ships.

When in doubt, please contact our sales consultants.

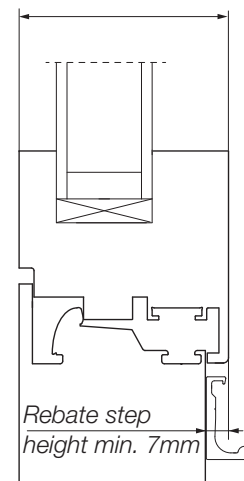
Sash weight max. 200 kg



Sash weight max. 160 kg



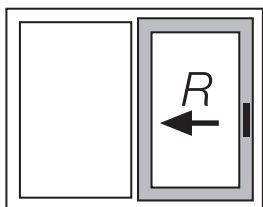
Sash profile depth (FT)



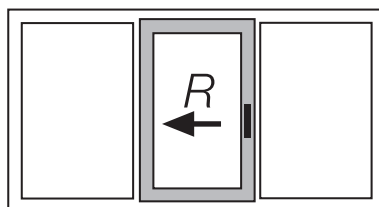


# Sash arrangements ATRIUM Alu-SP® komfort

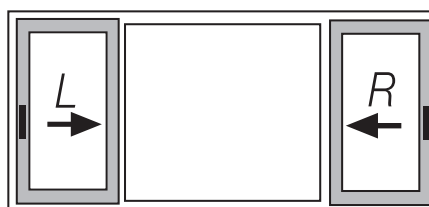
Frames with solid glazing or side hung sashes Schemes A, G, K, C, and C\*



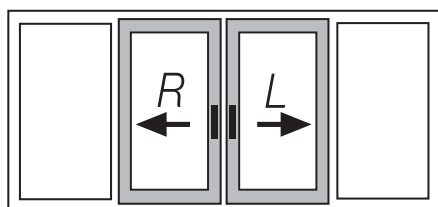
Scheme A  
Two-part element:  
1 sliding sash (L or R)



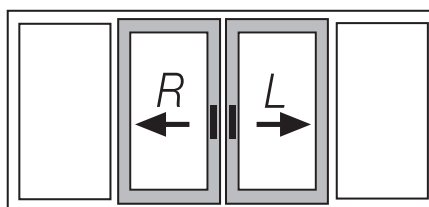
Scheme G  
Three-part element:  
1 sliding sash (L or R)



Scheme K  
Three-part element:  
2 sliding sashes Scheme A (L and R)

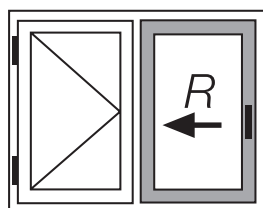


Scheme C\*  
Four-part element:  
2 sliding sashes Scheme A (L and R)  
with mounting posts between the elements



Scheme C  
Four-part element:  
2 sliding sashes (L and R),  
without mounting posts between the sliding sashes

Frame with fixed mounting posts between side hung and sliding sash Scheme A



Scheme A  
Two-part element:  
1 sliding sash (L or R),  
1 side hung sash  
When ordering two-part  
elements with fixed mounting  
posts.

HAUTAU designs left = DIN EN 12519 right  
HAUTAU designs right = DIN EN 12519 left

## Text for invitations of tenders

### ATRIUM Alu-SP® komfort parallel-retract-slide fitting with soft close mechanism and night ventilation

- Automatic soft-close retraction of the sash into the frame thanks to energy storage units at the top and the bottom
- Concealed central locking gear and all-around night vent position
- Parallel stop and slide position: ≈ 117 mm

#### Range of application

for windows and doors made of aluminium

#### Sash weight max. 160 kg

Sash width (FB) 790 to 1,680 mm  
Sash height (FH) 930 to 2,380 mm

#### Sash weight max. 200 kg (TWIN)

Sash width (FB) 1,280 to 2,000 mm  
Sash height (FH) 930 to 2,700 mm

Space requirements (frame dimensional tolerance):  
35 mm running rail, bottom

# Order details and packing units

## ATRIUM Alu-SP® komfort

Packing unit	ATRIUM Alu-SP® komfort D10	ATRIUM Alu-SP® komfort D6
Carton Bogies	left or right/left TWIN or right TWIN	
Accessories Locking system	BZ locking system D10	
Carton Caps for bogies		
Accessories Spring stay FB 930 mm or more	> 100 kg left or right	
Handle	UG/EG	
Espag for EG handle		
Accessories Night vent strikers / strikers		
Rail set	FB 930 mm FB 1080 mm FB 1280 mm FB 1480 mm FB 1680 mm FB 2000 mm (TWIN only)	
Stay system set	FB 790 – 930 mm left or right (900) FB 931 – 1280 mm left or right (1250) FB 1281 – 1680 mm left or right (1650) FB 1681 – 2000 mm left or right (2000) (TWIN only)	

## Colour information

	Design natural blank	Design silver	Design white	Design black	Design brown
Guiding rail	EV 1* natural anodised	EV 1* natural anodised	EV 1* natural anodised	EV 1* natural anodised	EV 1* natural anodised
Running rail EV 1*	EV 1* natural anodised	EV 1* natural anodised	black, anodised natural anodised	brown, anodised C35	dark bronze, anodised, C34
Holding rail and cover profile	natural blank	silver, coated	white, coated RAL 9016	black, coated RAL 9005	brown, coated 8077
Cover caps	colour-matched				

\* EV 1 corresponds to C0

### Notes concerning the coating of design “natural blank”:

Running and guiding rails must never be paint-coated, but may only be anodised.

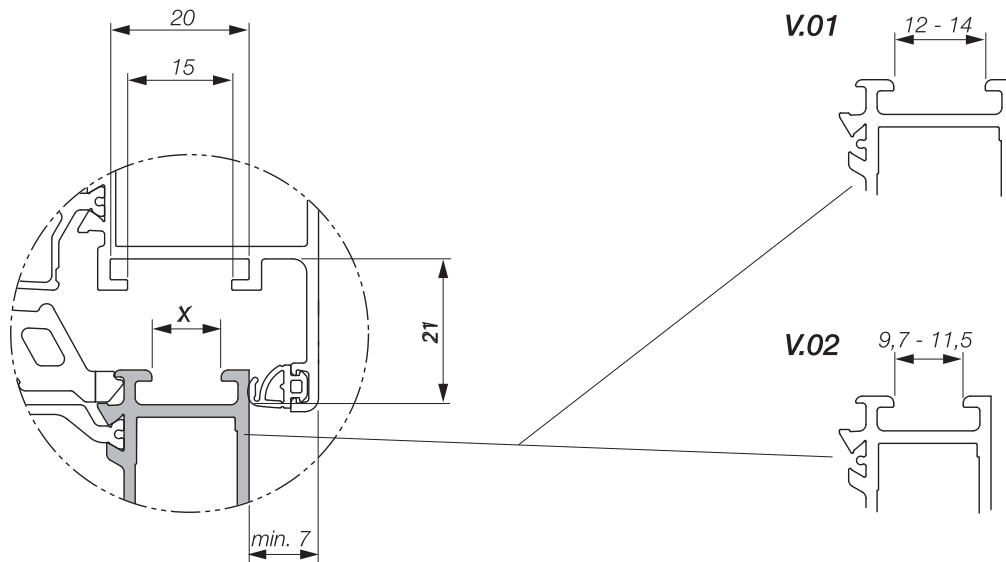
Holding rail and cover profile can be coated with powder or wet paint.

Follow the procedure below for cover caps made of PVC:

- Plasma priming in a vacuum chamber
- Cleaning with ionised air
- Painting with 2-component acrylic paint
- Drying in the oven at 70 °C (158 °F)

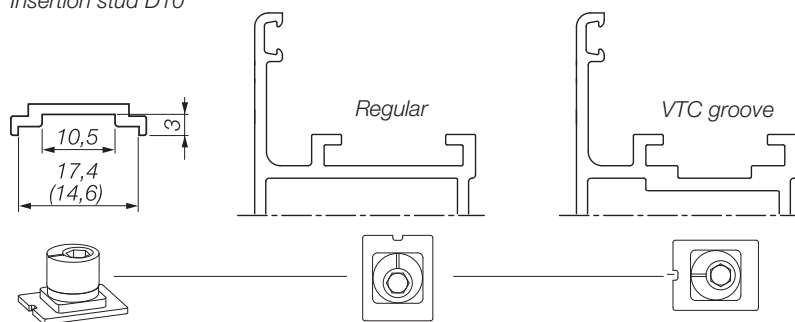
# System requirements ATRIUM Alu-SP® komfort

## Chamber dimensions and grooves

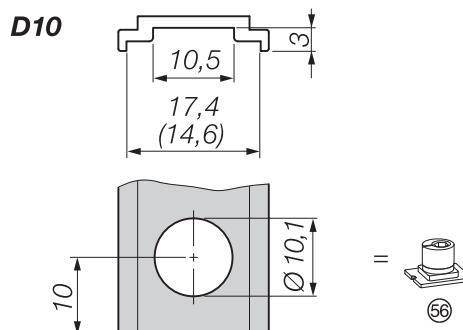


## Locking rods

Design  
Insertion stud D10



Depending on the locking drive rod used,  
design D6 or design D10 will be required.



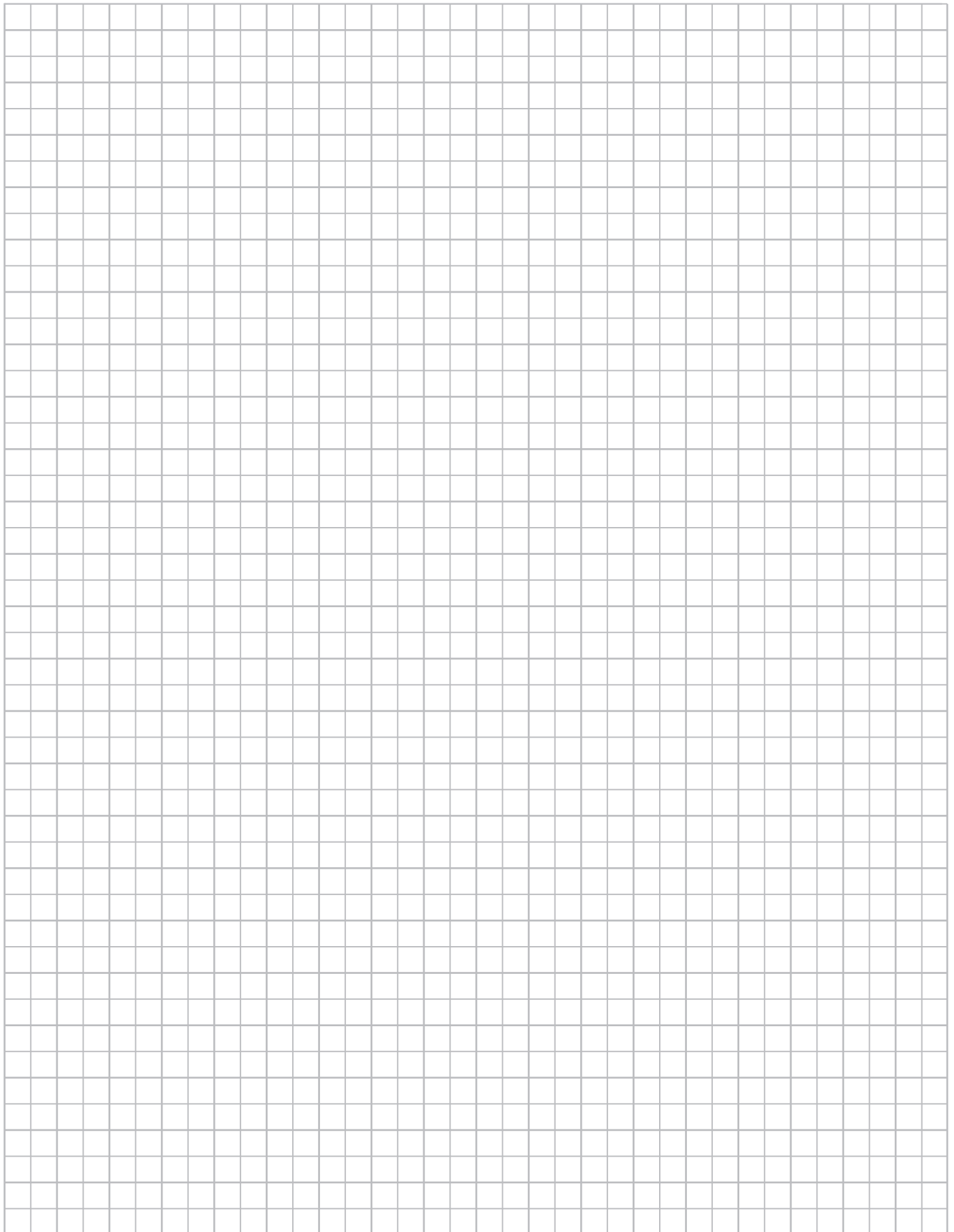
# Overview - contents of the packing units

	<p>2x ④</p> <p>1x ①</p> <p>12x ⑤9a 4,8 x 50</p> <p>2x ⑧4 4x M5 x 10</p> <p>1x ②</p>	<p>1x ④</p> <p>1x ①a</p> <p>24x ⑤9a 4,8 x 50</p> <p>2x ⑧4 4x M5 x 10</p> <p>1x ②a</p> <p>FG &gt; 160 kg</p>					
	<p>D10</p> <p>4x ①9</p> <p>2x M5 x 12</p> <p>1x ⑧</p> <p>1x ⑧5</p>	<p>ATRIUM Alu-SP® komfort</p>					
	<p>4x ⑬b</p> <p>4x ⑬</p> <p>4x ⑥5</p> <p>2x ⑧2a</p> <p>2x ⑧2b</p> <p>D10</p> <p>4x ⑤6</p>	<p>4x ⑦6</p> <p>4x ⑤9d M5 x 25</p> <p>2x ③</p> <p>1x ④4</p> <p>1x ④5</p>					
	<p>UG</p> <p>UG-S</p> <p>1x ⑥a</p> <p>1x ⑥b</p>	<p>EG</p> <p>1x ⑨</p> <p>2x M5 x 50</p>	<p>EG-S</p> <p>1x ⑩</p> <p>2x M5 x 50</p>	<p>EG-Pzl</p> <p>1x ⑪</p> <p>1x □7,0 x 150</p>	<p>EG-PzA</p> <p>1x ⑫</p> <p>2x M5 x 100</p>	<p>1x ⑦</p> <p>optional</p>	
	<p>EG 1x ⑳8</p>	<p>EG-oS</p> <p>1x ⑳8a</p>	<p>EG-Pz 1x ⑳0</p>	<p>2x ⑥5</p> <p>3x ⑤9g</p> <p>3,9 x 22</p>			
	<p>1x ④8a</p> <p>1x ②6</p>			<p>1x ⑥9</p> <p>FG &gt; 100 kg</p>			
	<p>1x ③8</p> <p>1x ③5</p> <p>1x ③6</p> <p>1x ③7</p> <p>1x ③9</p> <p>1x ④0</p> <p>⑤9c</p> <p>40x 3,9 x 45 (d, max. 7)</p> <p>⑤9e</p> <p>10x 3,9 x 9,5</p> <p>FB &gt; 1480</p> <p>1x ⑤1</p> <p>1x ④7</p> <p>1x ④6</p> <p>1x ④8</p> <p>2x ④1</p> <p>1x ⑤0</p> <p>1x ④2</p> <p>1x ④3</p>						

[www.HAUTAU.de](http://www.HAUTAU.de)

---

## Notes

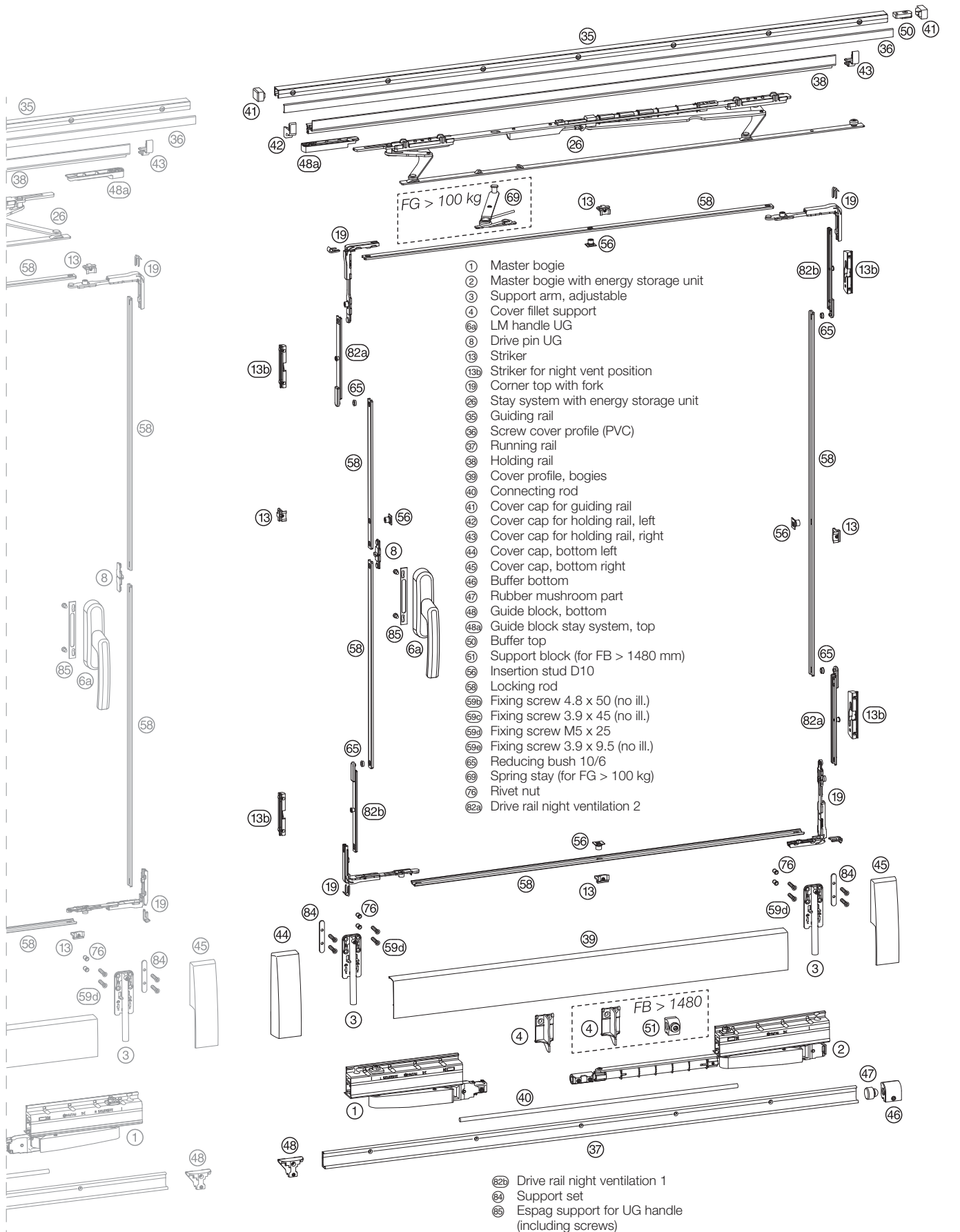


# ATRIUM Alu-SP® komfort

## Locking system D10, sash weight up to 160 kg

160 kg

D10



# ATRIUM Alu-SP® komfort

## Locking system D10, sash weight up to 160 kg



Units for scheme

A	G	K	C	Item name	Item code
1	1	2	2	<b>BZ locking system Alu-SP D10</b> ⑧ ⑱ ⑤⑥ ⑥⑤	left/right 241108
1	1	1 L 1 R	1 L 1 R	<b>Carton bogies FG 160 kg</b> ① ② ④ ⑤⑨b ⑧④	left 231231 right 231234
1	1	1 L 1 R	1 L 1 R	<b>BZ spring stay</b> <sup>1)</sup> ⑥⑧	left 240361 right 240364
1	1	2	2	<b>Caps bogies, large + support arms</b> ③ ④④ ④⑤ ⑤⑨a ⑦⑥	<b>silver</b> 230521 <b>white</b> 230527 <b>black</b> 230524 <b>brown</b> 240418 <b>blank</b> 230518
1	1	2	1	<b>BZ night vent strikers D10</b> ⑬ ⑬b ⑤⑥ ⑥⑤ ⑧②a ⑧②b	<b>V.01</b> <sup>4)</sup> left 231237 <b>V.02</b> <sup>4)</sup> left 231243 right 231240   right 231246
			1	<b>BZ striker set, insertion studs</b> <sup>2)</sup> <b>D10 OSL</b> ⑬ ⑤⑥	<b>V.01</b> <sup>4)</sup> 232801 <b>V.02</b> <sup>4)</sup> 232807
1	1	2	2	<b>Rail set</b> ⑤⑤ ⑤⑥ ⑤⑦ ⑤⑧ ⑤⑨ ④① ④② ④③ ④④ ④⑤ ④⑥ ④⑦ ④⑧ ⑤① ⑤②c ⑤②e also for FB >1480: ⑤①	<b>FB</b> 790 – 930 <b>RAB</b> 1930 <b>silver</b> 230536 <b>white</b> 230539 <b>black</b> 230530 <b>brown</b> 238819 <b>blank</b> 230533 931 – 1080   2230   230548   230551   230542   238822   230545 1081 – 1280   2630   230560   230563   230554   238825   230557 1281 – 1480   3030   230572   230575   230566   238828   230569 1481 – 1680   3430   230584   230587   230578   238831   230581
1	1	1 L 1 R	1 L 1 R	<b>Stay system set</b> ②⑥ ④⑧a	<b>FB</b> 790 – 930 <b>GR</b> 900 <b>left</b> 233074 <b>right</b> 233065 931 – 1280   1250   233077   233068 1281 – 1680   1650   233080   233071
1	1	2	2	<b>LM handle UG</b> ⑥⑨	see p. 44/45
1	1	2	2	<b>Espag for EG</b> (no ill.)	see p. 42/43

<sup>1)</sup> Spring stay required for sash weights of 100 kg or more; applies to range of application FB > 930 mm

<sup>2)</sup> Note concerning Scheme C: The inactive sash is not equipped for night ventilation

<sup>4)</sup> V.01 = Frame groove width 12-14 mm / V.02 = Frame groove width 9,7-11,5 mm

Item name	Item code
<b>Rail Set 7</b> **	<b>FB</b> 790 - 930 <b>RAB</b> 1930 <b>silver</b> 244549 <b>white</b> 244561 <b>black</b> 244567 <b>blank</b> 244603
③⑤a ③⑥ ③⑦a ③⑧ ③⑨ ④① ④② ④③ ④④ ④⑤ ④⑥ ④⑦ ④⑧ ⑤① ⑤②c ⑤②e	931 - 1080   2230   244552   244534   244570   244606
FB >1480 additionally: ⑤①	1081 - 1280   2630   244555   244537   244573   244609
	1281 - 1480   3030   244558   244540   244576   244612
	1481 - 1680   3430   244561   244543   244579   244615

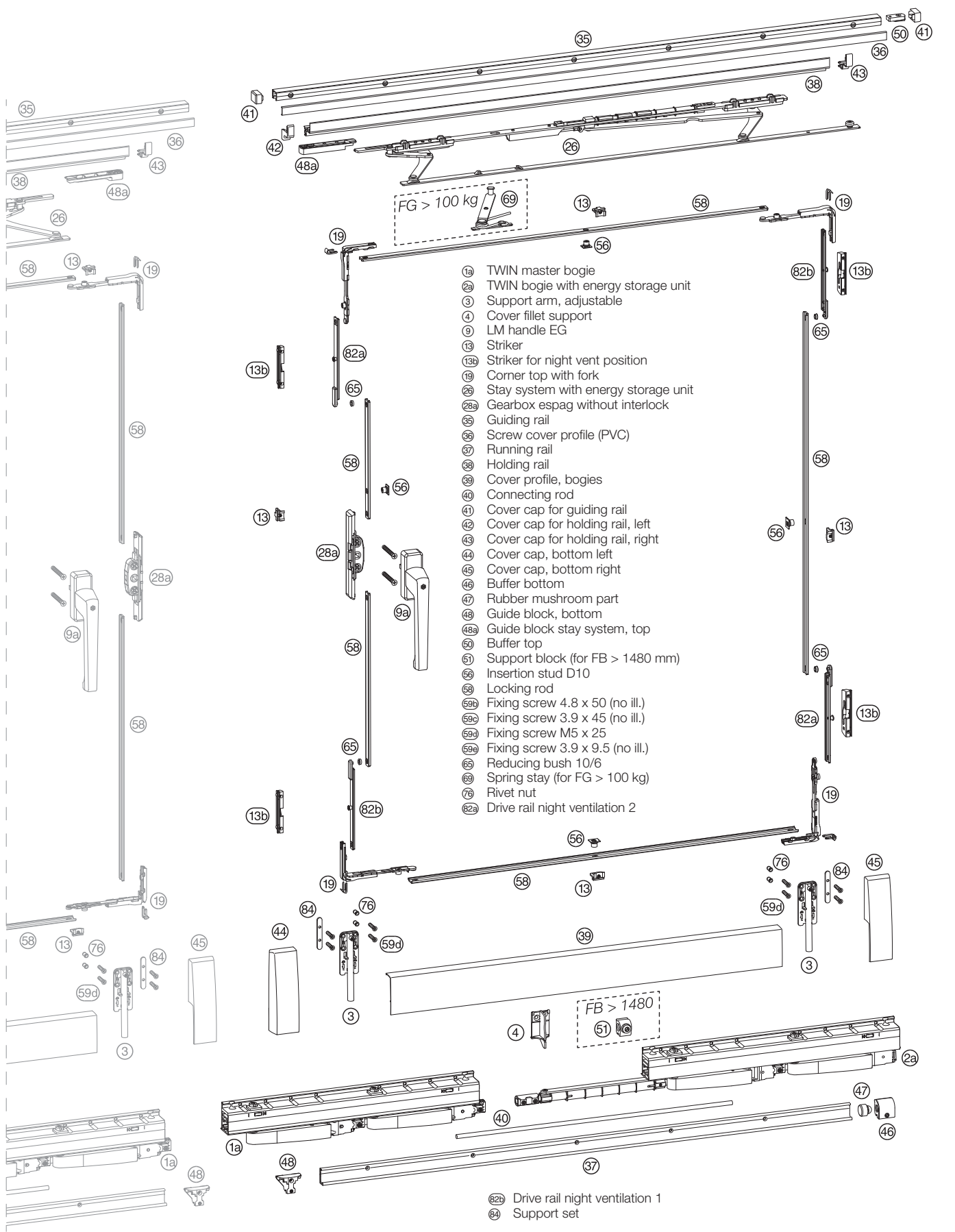
\*\* The rail set 7 can be used if the fitting is > 10 mm or (profile-related) see online profile overview

# ATRIUM Alu-SP® komfort TWIN

Locking system D10, sash weight up to 200 kg

200 kg

D10





# ATRIUM Alu-SP® komfort TWIN

Locking system D10, sash weight up to 200 kg



Units for scheme

A	G	K	C	Item name	Item code						
1	1	2	2	<b>BZ locking system Alu-SP D10</b> (8) (19) (56)	left/right 241108						
1	1	1 L 1 R	1 L 1 R	<b>Carton TWIN bogies FG 200 kg</b> (1a) (2a) (4) (59b) (84)	left 241114 right 241117						
1	1	1 L 1 R	1 L 1 R	<b>BZ spring stay</b> <sup>1)</sup> (69)	left 240361 right 240364						
1	1	2	2	<b>Caps bogies, large + support arms</b> (3) (44) (45) (59a) (76)	<b>silver</b> 230521	<b>white</b> 230527	<b>black</b> 230524	<b>brown</b> 240418	<b>blank</b> 230518		
1	1	2	1	<b>BZ night vent strikers D10</b> (13) (13b) (56) (65) (82a) (82b)	left <b>V.01</b> <sup>4)</sup> 231237 <b>V.02</b> <sup>4)</sup> 231243 right 231240 231246						
			1	<b>BZ striker set, insertion studs</b> <sup>2)</sup> D10 OSL (13) (56)	<b>V.01</b> <sup>4)</sup> 232801 <b>V.02</b> <sup>4)</sup> 232807						
1	1	2	2	<b>Rail set</b> (35) (36) (37) (38) (39) (40) (41) (42) (43) (46) (47) (48) (50) (59c) (59e) also for FB >1480: (51)	<b>FB</b> 1281 – 1480 1481 – 1680 1681 – 2000	<b>RAB</b> 3030 3430 4130	<b>silver</b> 230572 230584 230596	<b>white</b> 230575 230587 230599	<b>black</b> 230566 230578 230590	<b>brown</b> 238828 238831 238834	<b>blank</b> 230569 230581 230593
1	1	1 L 1 R	1 L 1 R	<b>Stay system set</b> (26) (48a)	<b>FB</b> 1281 – 1680 1681 – 2000	<b>GR</b> 1650 2000	left 233080 233071 right 241120 241123				
1	1	2	2	<b>LM handle 160 EG</b> <sup>3)</sup> (9)	<b>EV1</b> 136634 <b>white</b> 136640 <b>black</b> 136643 <b>brown</b> 176808						
1	1	2	2	<b>Gearbox espag without gearshift lock D10</b> (28a)	241099						

for additional handle and gear designs, see pages 42-45

<sup>1)</sup> Spring stay required for sash weights of 100 kg or more; applies to range of application FB > 930 mm

<sup>2)</sup> Note concerning Scheme C: The inactive sash is not equipped for night ventilation

<sup>3)</sup> The TWIN design supporting sash weights of up to 200 kg may only be used with gearbox espag and LM handle 160

<sup>4)</sup> V.01 = Frame groove width 12-14 mm / V.02 = Frame groove width 9,7-11,5 mm

Item name	Item code					
	FB	RAB	silver	white	black	blank
<b>Rail Set 7</b> **	1281 - 1480	3030	244558	244540	244576	244612
(35a) (36) (37a) (38) (39) (40) (41) (42) (43) (46) (47) (48) (50) (59c) (59e)	1481 - 1680	3430	244561	244543	244579	244615
FB >1480 additionally: (51)	1681 - 2000	4130	244564	244546	244582	244618

\*\* The rail set 7 can be used if the fitting is > 10 mm or (profile-related) see online profile overview

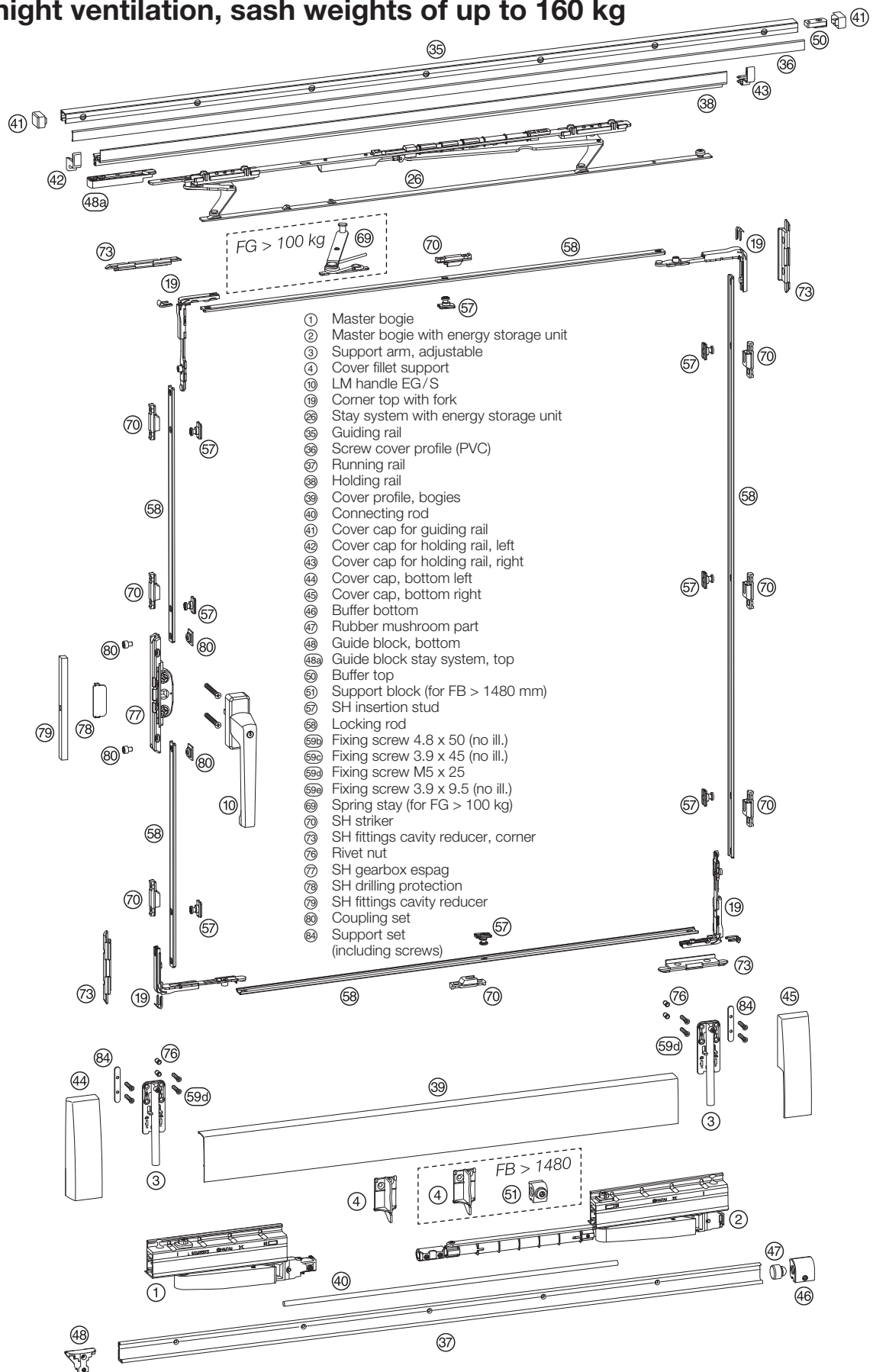
# ATRIUM Alu-SP® komfort

Locking system D10, burglar protection in closed position  
no night ventilation, sash weights of up to 160 kg

160  
kg

D10

SAFE



- ① Master bogie
- ② Master bogie with energy storage unit
- ③ Support arm, adjustable
- ④ Cover fillet support
- ⑩ LM handle EG/S
- ⑱ Corner top with fork
- ⑳ Stay system with energy storage unit
- ⑳ Guiding rail
- ⑳ Screw cover profile (PVC)
- ⑳ Running rail
- ⑳ Holding rail
- ⑳ Cover profile, bogies
- ④① Connecting rod
- ④① Cover cap for guiding rail
- ④② Cover cap for holding rail, left
- ④③ Cover cap for holding rail, right
- ④④ Cover cap, bottom left
- ④⑤ Cover cap, bottom right
- ④⑥ Buffer bottom
- ④⑦ Rubber mushroom part
- ④⑧ Guide block, bottom
- ④⑧a Guide block stay system, top
- ④⑨ Buffer top
- ④⑩ Support block (for FB > 1480 mm)
- ④⑪ SH insertion stud
- ④⑫ Locking rod
- ④⑫a Fixing screw 4.8 x 50 (no ill.)
- ④⑫b Fixing screw 3.9 x 45 (no ill.)
- ④⑫c Fixing screw M5 x 25
- ④⑫d Fixing screw 3.9 x 9.5 (no ill.)
- ④⑬ Spring stay (for FG > 100 kg)
- ④⑭ SH striker
- ④⑭ SH fittings cavity reducer, corner
- ④⑮ Rivet nut
- ④⑯ SH gearbox espag
- ④⑯ SH drilling protection
- ④⑰ SH fittings cavity reducer
- ④⑱ Coupling set
- ④⑲ Support set (including screws)

# ATRIUM Alu-SP® komfort

Locking system D10, burglar protection in closed position  
no night ventilation, sash weights of up to 160 kg



Units for scheme

A	G	K	Item name	Item code						
1	1	2	<b>BZ locking system Alu-SP D10</b> ⑧ ⑱ ⑤⑥	left/right	241108					
1	1	2	<b>Carton bogies FG 160 kg</b> ① ② ④ ⑤⑨ ⑧④	left	231231					
				right	231234					
1	1	2	<b>BZ spring stay</b> <sup>1)</sup> ③⑨	left	240361					
				right	240364					
1	1	2	<b>Caps bogies, large + support arms</b> ③ ④④ ④⑤ ⑤⑨ ⑦⑥	<b>silver</b>	<b>white</b>	<b>black</b>	<b>brown</b>	<b>blank</b>		
				230521	230527	230524	240418	230518		
4	4	8	<b>BZ SH fittings cavity reducer, corner</b> ⑦③	241090						
1	1	2	<b>BZ security locking parts</b> ⑦⑦ ⑦⑧	<b>V.01</b> <sup>4)</sup>	<b>V.02</b> <sup>4)</sup>					
				241126	241129					
1	1	2	<b>Rail set</b> ⑤⑤ ⑤⑥ ⑤⑦ ⑤⑧ ⑤⑨ ④① ④② ④③ ④④ ④⑤ ④⑥ ④⑦ ④⑧ ⑤① ⑤②c ⑤②e also for FB >1480: ⑤①	<b>FB</b>	<b>RAB</b>	<b>silver</b>	<b>white</b>	<b>black</b>	<b>brown</b>	<b>blank</b>
				790 – 930	1930	230536	230539	230530	238819	230533
				931 – 1080	2230	230548	230551	230542	238822	230545
				1081 – 1280	2630	230560	230563	230554	238825	230557
				1281 – 1480	3030	230572	230575	230566	238828	230569
			1481 – 1680	3430	230584	230587	230578	238831	230581	
1	1	2	<b>Stay system set</b> ②⑥ ④⑧a	<b>FB</b>	<b>GR</b>	<b>left</b>				<b>right</b>
				790 – 900	900	233074				233065
				901 – 1280	1250	233077				233068
				1281 – 1680	1650	233080				233071
1	1	2	<b>LM handle 160 EG-S</b> ⑩	<b>EV1</b>	<b>white</b>	<b>black</b>	<b>brown</b>			
				136658	136664	136667	176811			
1	1	2	<b>BZ SH gearbox espag with drilling protection D10</b> ⑦⑦ ⑦⑧ ⑦⑨ ⑧⑩	241087						

<sup>1)</sup> Spring stay required for sash weights of 100 kg or more; applies to range of application FB > 930 mm

<sup>4)</sup> V.01 = Frame groove width 12-14 mm / V.02 = Frame groove width 9,7-11,5 mm

Item name	Item code						
<b>Rail Set 7</b> ** ③⑤a ③⑥ ③⑦a ③⑧ ③⑨ ④① ④② ④③ ④④ ④⑤ ④⑥ ④⑦ ④⑧ ⑤① ⑤②c ⑤②e FB >1480 additionally: ⑤①	<b>FB</b>	<b>RAB</b>	<b>silver</b>	<b>white</b>	<b>black</b>	<b>blank</b>	
	790 - 930	1930	244549	244561	244567	244603	
	931 - 1080	2230	244552	244534	244570	244606	
	1081 - 1280	2630	244555	244537	244573	244609	
	1281 - 1480	3030	244558	244540	244576	244612	
	1481 - 1680	3430	244561	244543	244579	244615	

\*\* The rail set 7 can be used if the fitting is > 10 mm  
or (profile-related) see online profile overview

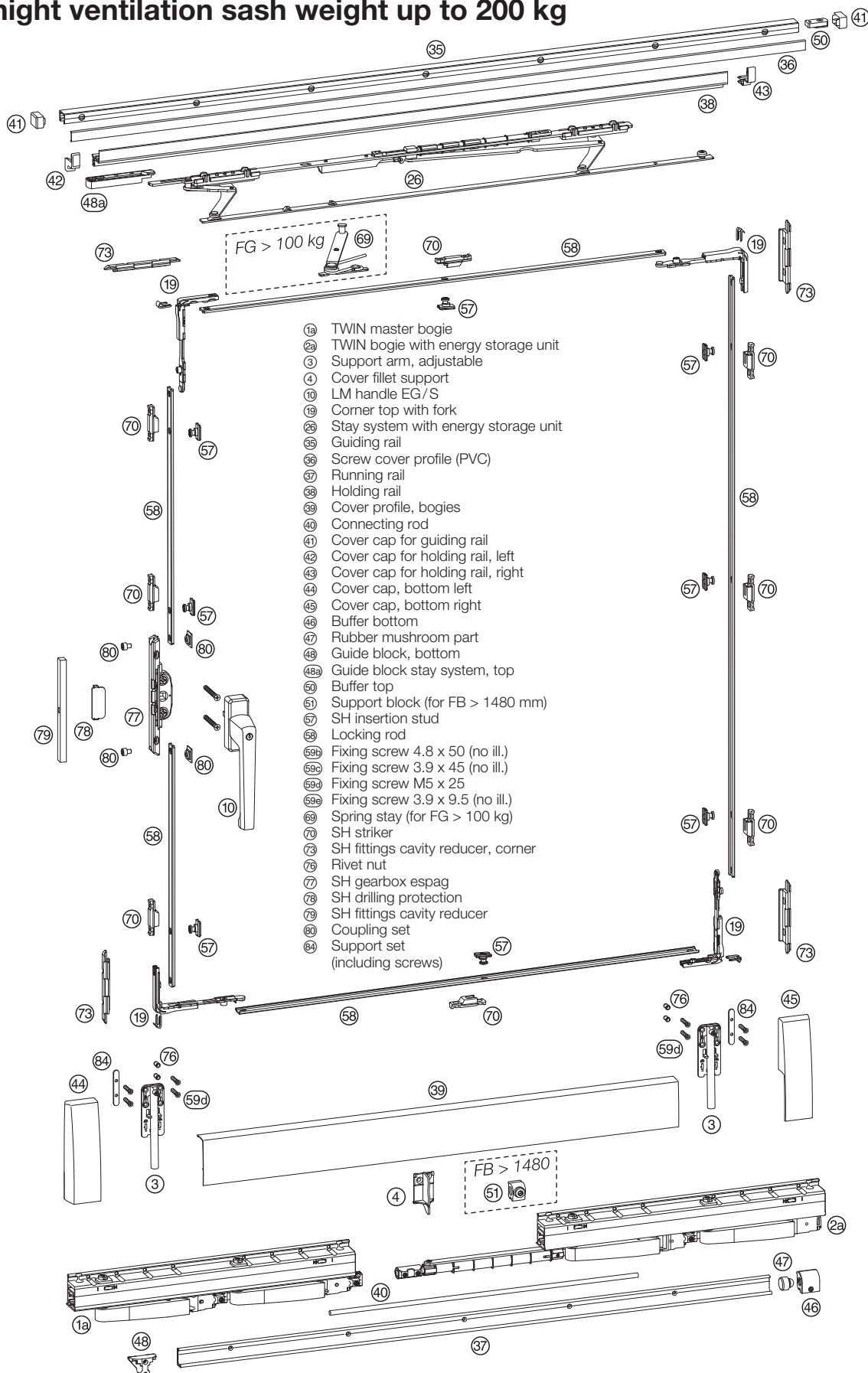
# ATRIUM Alu-SP® komfort TWIN

Locking system D10, burglar protection in closed position  
no night ventilation sash weight up to 200 kg

200 kg

D10

SAFE



- 1a TWIN master bogie
- 2a TWIN bogie with energy storage unit
- 3 Support arm, adjustable
- 4 Cover fillet support
- 10 LM handle EG/S
- 19 Corner top with fork
- 26 Stay system with energy storage unit
- 35 Guiding rail
- 36 Screw cover profile (PVC)
- 37 Running rail
- 38 Holding rail
- 39 Cover profile, bogies
- 40 Connecting rod
- 41 Cover cap for guiding rail
- 42 Cover cap for holding rail, left
- 43 Cover cap for holding rail, right
- 44 Cover cap, bottom left
- 45 Cover cap, bottom right
- 46 Buffer bottom
- 47 Rubber mushroom part
- 48 Guide block, bottom
- 48a Guide block stay system, top
- 50 Buffer top
- 51 Support block (for FB > 1480 mm)
- 57 SH insertion stud
- 58 Locking rod
- 59a Fixing screw 4.8 x 50 (no ill.)
- 59c Fixing screw 3.9 x 45 (no ill.)
- 59d Fixing screw M5 x 25
- 59e Fixing screw 3.9 x 9.5 (no ill.)
- 69 Spring stay (for FG > 100 kg)
- 70 SH striker
- 73 SH fittings cavity reducer, corner
- 76 Rivet nut
- 77 SH gearbox espag
- 78 SH drilling protection
- 79 SH fittings cavity reducer
- 80 Coupling set
- 84 Support set (including screws)

# ATRIUM Alu-SP® komfort TWIN

Locking system D10, burglar protection in closed position  
no night ventilation sash weight up to 200 kg



Units for scheme

A	G	K	Item name	Item code						
1	1	2	<b>BZ locking system Alu-SP D10</b> ⑧ ⑱ ⑤⑥	left/right	241108					
1	1	2	<b>Carton TWIN bogies FG 200 kg</b> ⑬ ⑳ ④ ⑤⑨ ⑧④	left	241114					
				right	241117					
1	1	2	<b>BZ spring stay</b> <sup>1)</sup> ⑥⑨	left	240361					
				right	240364					
1	1	2	<b>Caps bogies, large + support arms</b> ③ ④④ ④⑤ ⑤⑨⑩ ⑦⑥	<b>silver</b>	<b>white</b>	<b>black</b>	<b>brown</b>	<b>blank</b>		
				230521	230527	230524	240418	230518		
4	4	8	<b>BZ SH fittings cavity reducer, corner</b> ⑦③	241090						
1	1	2	<b>BZ security locking parts</b> ⑤⑦ ⑦①	<b>V.01</b> <sup>4)</sup>	<b>V.02</b> <sup>4)</sup>					
				241126	241129					
1	1	2	<b>Rail set</b> ③⑤ ③⑥ ③⑦ ③⑧ ③⑨ ④① ④② ④③ ④④ ④⑤ ④⑥ ④⑦ ④⑧ ⑤① ⑤②③ ⑤②④ also for FB >1480: ⑤①	<b>FB</b>	<b>RAB</b>	<b>silver</b>	<b>white</b>	<b>black</b>	<b>brown</b>	<b>blank</b>
				1281 - 1480	3030	230572	230575	230566	238828	230569
				1481 - 1680	3430	230584	230587	230578	238831	230581
				1681 - 2000	4130	230596	230599	230590	238834	230593
1	1	2	<b>Stay system set</b> ②⑥ ④⑧⑨	<b>FB</b>	<b>GR</b>					
				1281 - 1680	1650					
				1681 - 2000	2000					
1	1	2	<b>LM handle 160 EG-S</b> ⑩	<b>EV1</b>	<b>white</b>	<b>black</b>	<b>brown</b>			
				136658	136664	136667	176811			
1	1	2	<b>BZ SH gearbox espag with drilling protection D10</b> ⑦⑦ ⑦⑧ ⑦⑨ ⑧①	241087						

<sup>1)</sup> Spring stay required for sash weights of 100 kg or more; applies to range of application FB > 930 mm

<sup>4)</sup> V.01 = Frame groove width 12-14 mm / V.02 = Frame groove width 9,7-11,5 mm

Item name	Item code					
	FB	RAB	silver	white	black	blank
<b>Rail Set 7 **</b>						
③⑤⑥ ③⑦⑧ ③⑨ ④① ④② ④③ ④④ ④⑤ ④⑥ ④⑦ ④⑧ ⑤① ⑤②③ ⑤②④	1281 - 1480	3030	244558	244540	244576	244612
FB >1480 additionally: ⑤①	1481 - 1680	3430	244561	244543	244579	244615
	1681 - 2000	4130	244564	244546	244582	244618

\*\* The rail set 7 can be used if the fitting is > 10 mm or (profile-related) see online profile overview

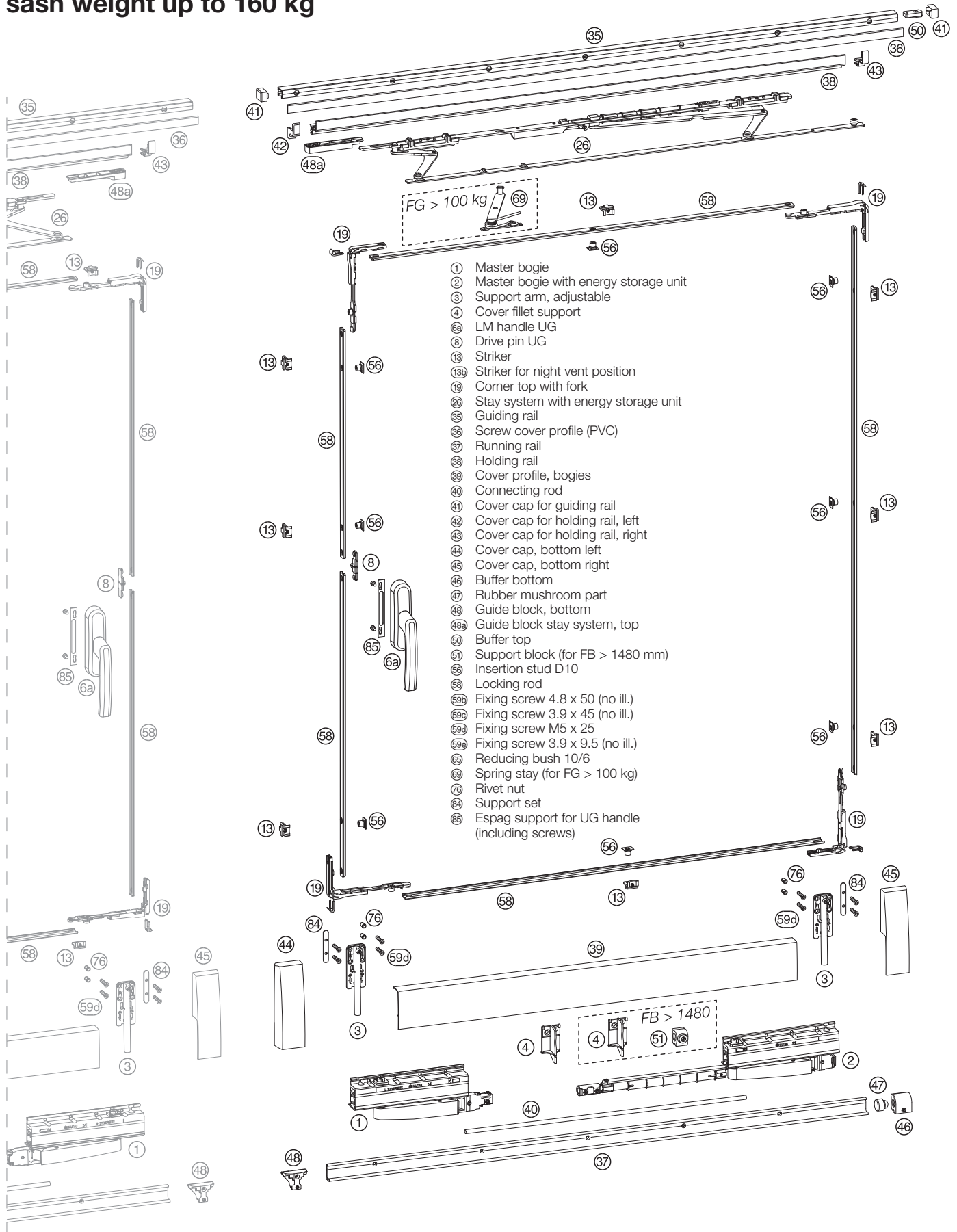
# ATRIUM Alu-SP® komfort

Locking system D10, without night ventilation, sash weight up to 160 kg

160  
kg

D10

🔒



- ① Master bogie
- ② Master bogie with energy storage unit
- ③ Support arm, adjustable
- ④ Cover fillet support
- ⑥ LM handle UG
- ⑧ Drive pin UG
- ⑬ Striker
- ⑬ Striker for night vent position
- ⑰ Corner top with fork
- ⑲ Stay system with energy storage unit
- ⑳ Guiding rail
- ㉓ Screws cover profile (PVC)
- ㉔ Running rail
- ㉕ Holding rail
- ㉖ Cover profile, bogies
- ㉗ Connecting rod
- ㉘ Cover cap for guiding rail
- ㉙ Cover cap for holding rail, left
- ㉚ Cover cap for holding rail, right
- ㉛ Cover cap, bottom left
- ㉜ Cover cap, bottom right
- ㉝ Buffer bottom
- ㉞ Rubber mushroom part
- ㉟ Guide block, bottom
- ㊱ Guide block stay system, top
- ㊲ Buffer top
- ㊳ Support block (for FB > 1480 mm)
- ㊴ Insertion stud D10
- ㊵ Locking rod
- ㊶ Fixing screw 4.8 x 50 (no ill.)
- ㊷ Fixing screw 3.9 x 45 (no ill.)
- ㊸ Fixing screw M5 x 25
- ㊹ Fixing screw 3.9 x 9.5 (no ill.)
- ㊺ Reducing bush 10/6
- ㊻ Spring stay (for FG > 100 kg)
- ㊼ Rivet nut
- ㊽ Support set
- ㊾ Espag support for UG handle (including screws)

# ATRIUM Alu-SP® komfort

Locking system D10, without night ventilation, sash weight up to 160 kg



Units for scheme

A	G	K	C	Item name	Item code						
1	1	2	2	<b>BZ locking system Alu-SP D10</b> ⑧ ⑱ ⑥③ ⑥⑤	left/right		241108				
1	1	1 L	1 L	<b>Carton bogies FG 160 kg</b> ① ② ④ ⑤⑨ ⑥④	left		231231				
		1 R	1 R		right		231234				
1	1	1 L	1 L	<b>BZ spring stay<sup>1)</sup></b> ⑥⑨	left		240361				
		1 R	1 R		right		240364				
1	1	2	2	<b>Caps bogies, large + support arms</b> ③ ④④ ④⑤ ⑤⑨ ⑦⑥	<b>silver</b> 230521	<b>white</b> 230527	<b>black</b> 230524	<b>brown</b> 240418	<b>blank</b> 230518		
1	1	2	2	<b>BZ striker set, insertion studs D10 OSL</b> ⑬ ⑤⑥	<b>V.01<sup>4)</sup></b> 232801		<b>V.02<sup>4)</sup></b> 232807				
1	1	2	2	<b>Rail set</b> ③⑤ ③⑥ ③⑦ ③⑧ ③⑨ ④① ④② ④③ ④④ ④⑤ ④⑥ ④⑦ ④⑧ ⑤① ⑤② ⑤③ ⑤④	<b>FB</b>	<b>RAB</b>	<b>silver</b>	<b>white</b>	<b>black</b>	<b>brown</b>	<b>blank</b>
					790 – 930	1930	230536	230539	230530	238819	230533
					931 – 1080	2230	230548	230551	230542	238822	230545
					1081 – 1280	2630	230560	230563	230554	238825	230557
					1281 – 1480	3030	230572	230575	230566	238828	230569
1481 – 1680	3430	230584	230587	230578	238831	230581					
1	1	1 L	1 L	<b>Stay system set</b> ②⑥ ④⑧⑨	<b>FB</b>	<b>GR</b>			<b>left</b>	<b>right</b>	
		1 R	1 R		790 – 930	900			233074	233065	
					931 – 1280	1250			233077	233068	
					1281 – 1680	1650			233080	233071	
1	1	2	2	<b>LM handle UG</b> ⑥②					see p. 44/45		
1	1	2	2	<b>Espag for EG</b> (no ill.)					see p. 42/43		

<sup>1)</sup> Spring stay required for sash weights of 100 kg or more; applies to range of application FB > 930 mm

<sup>4)</sup> V.01 = Frame groove width 12-14 mm / V.02 = Frame groove width 9,7-11,5 mm

Item name	Item code					
<b>Rail Set 7**</b> ③⑤⑥ ③⑥ ③⑦⑧ ③⑧ ③⑨ ④① ④② ④③ ④④ ④⑤ ④⑥ ④⑦ ④⑧ ⑤① ⑤② ⑤③ ⑤④ FB >1480 additionally: ⑤①	<b>FB</b>	<b>RAB</b>	<b>silver</b>	<b>white</b>	<b>black</b>	<b>blank</b>
	790 - 930	1930	244549	244561	244567	244603
	931 - 1080	2230	244552	244534	244570	244606
	1081 - 1280	2630	244555	244537	244573	244609
	1281 - 1480	3030	244558	244540	244576	244612
1481 - 1680	3430	244561	244543	244579	244615	

\*\* The rail set 7 can be used if the fitting is > 10 mm or (profile-related) see online profile overview



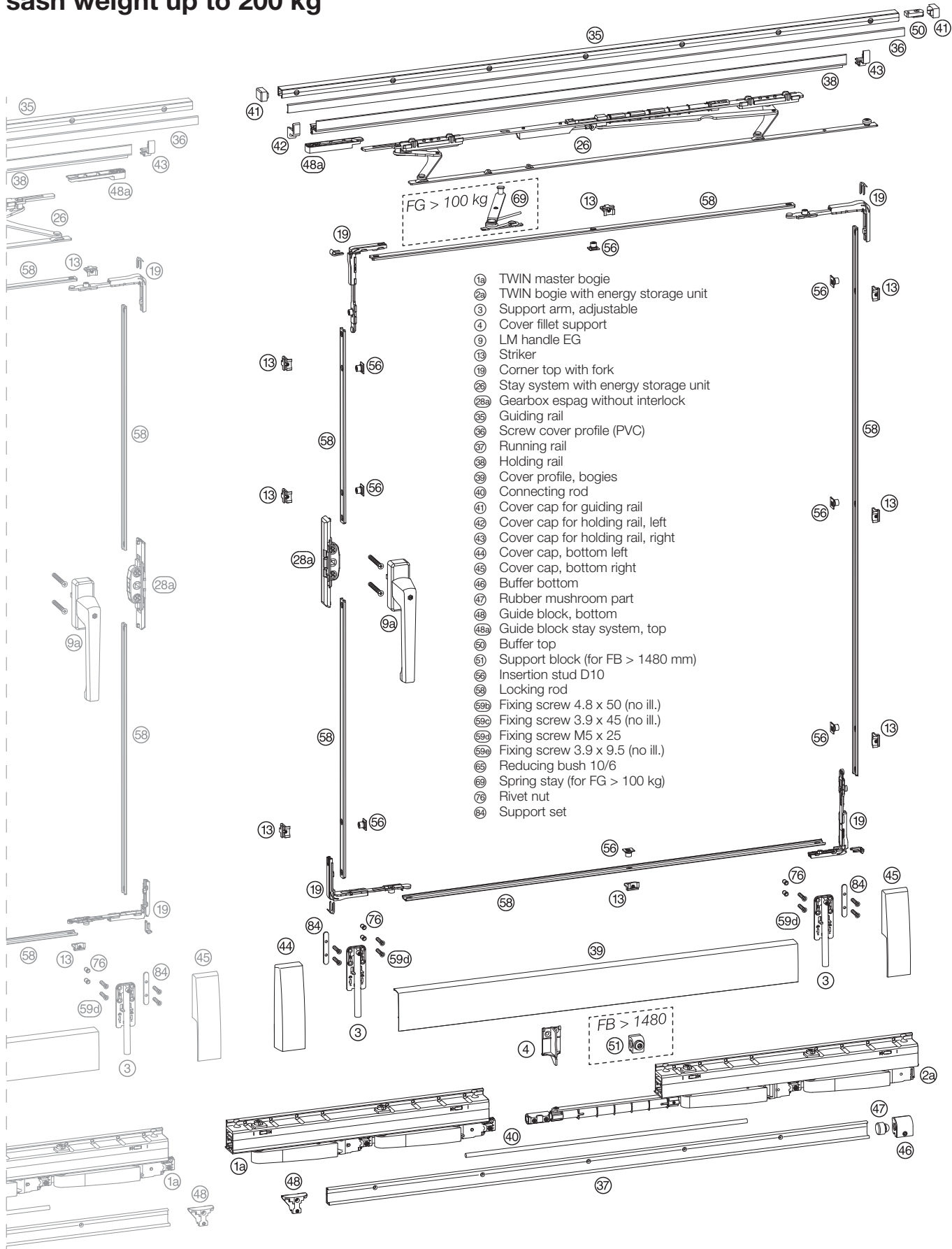
# ATRIUM Alu-SP® komfort TWIN

200 kg

D10

🔒

Locking system D10, without night ventilation, sash weight up to 200 kg



- 1a TWIN master bogie
- 2a TWIN bogie with energy storage unit
- 3 Support arm, adjustable
- 4 Cover fillet support
- 9 LM handle EG
- 13 Striker
- 19 Corner top with fork
- 26 Stay system with energy storage unit
- 28a Gearbox espag without interlock
- 35 Guiding rail
- 36 Screw cover profile (PVC)
- 37 Running rail
- 38 Holding rail
- 39 Cover profile, bogies
- 40 Connecting rod
- 41 Cover cap for guiding rail
- 42 Cover cap for holding rail, left
- 43 Cover cap for holding rail, right
- 44 Cover cap, bottom left
- 45 Cover cap, bottom right
- 46 Buffer bottom
- 47 Rubber mushroom part
- 48 Guide block, bottom
- 48a Guide block stay system, top
- 50 Buffer top
- 51 Support block (for FB > 1480 mm)
- 56 Insertion stud D10
- 58 Locking rod
- 59a Fixing screw 4.8 x 50 (no ill.)
- 59b Fixing screw 3.9 x 45 (no ill.)
- 59c Fixing screw M5 x 25
- 59d Fixing screw 3.9 x 9.5 (no ill.)
- 60 Reducing bush 10/6
- 69 Spring stay (for FG > 100 kg)
- 76 Rivet nut
- 84 Support set



# ATRIUM Alu-SP® komfort TWIN

Locking system D10, without night ventilation, sash weight up to 200 kg



Units for scheme

A	G	K	C	Item name	Item code						
1	1	2	2	<b>BZ locking system Alu-SP D10</b> ⑧ ⑱ ⑥③			left/right	241108			
1	1	1 L	1 L	<b>Carton TWIN bogies FG 200 kg</b> ① ② ④ ⑤⑨ ⑧④			left	241114			
		1 R	1 R				right	241117			
1	1	1 L	1 L	<b>BZ spring stay</b> <sup>1)</sup> ⑥⑨			left	240361			
		1 R	1 R				right	240364			
1	1	2	2	<b>Caps bogies, large + support arms</b> ③ ④④ ④⑤ ⑤⑨⑩ ⑦⑥	<b>silver</b>	<b>white</b>	<b>black</b>	<b>brown</b>	<b>blank</b>		
					230521	230527	230524	240418	230518		
1	1	2	2	<b>BZ striker set, insertion studs D10 OSL</b> ⑬ ⑤⑥			<b>V.01</b> <sup>4)</sup>	<b>V.02</b> <sup>4)</sup>			
							232801	232807			
1	1	2	2	<b>Rail set</b> ③⑤ ③⑥ ③⑦ ③⑧ ③⑨ ④⑩ ④⑪ ④⑫ ④⑬ ④⑭ ④⑮ ④⑯ ④⑰ ④⑱ ⑤⑰ ⑤⑱ ⑤⑲ also for FB >1480: ⑤⑴	<b>FB</b>	<b>RAB</b>	<b>silver</b>	<b>white</b>	<b>black</b>	<b>brown</b>	<b>blank</b>
					1281 – 1480	3030	230572	230575	230566	238828	230569
					1481 – 1680	3430	230584	230587	230578	238831	230581
					1681 – 2000	4130	230596	230599	230590	238834	230593
1	1	1 L	1 L	<b>Stay system set</b> ②⑥ ④⑧②	<b>FB</b>	<b>GR</b>			<b>left</b>	<b>right</b>	
					1281 – 1680	1650			233080	233071	
					1681 – 2000	2000			241120	241123	
1	1	2	2	<b>LM handle 160 EG</b> <sup>3)</sup> ⑨			<b>EV1</b>	<b>white</b>	<b>black</b>	<b>brown</b>	
							136634	136640	136643	176808	
1	1	2	2	<b>Gearbox espag without gearshift lock D10</b> ②⑧②						241099	

for additional handle and gear designs, see pages 42-45

<sup>1)</sup> Spring stay required for sash weights of 100 kg or more; applies to range of application FB > 930 mm

<sup>3)</sup> The TWIN design supporting sash weights of up to 200 kg may only be used with gearbox espag and LM handle 160

<sup>4)</sup> V.01 = Frame groove width 12-14 mm / V.02 = Frame groove width 9,7-11,5 mm

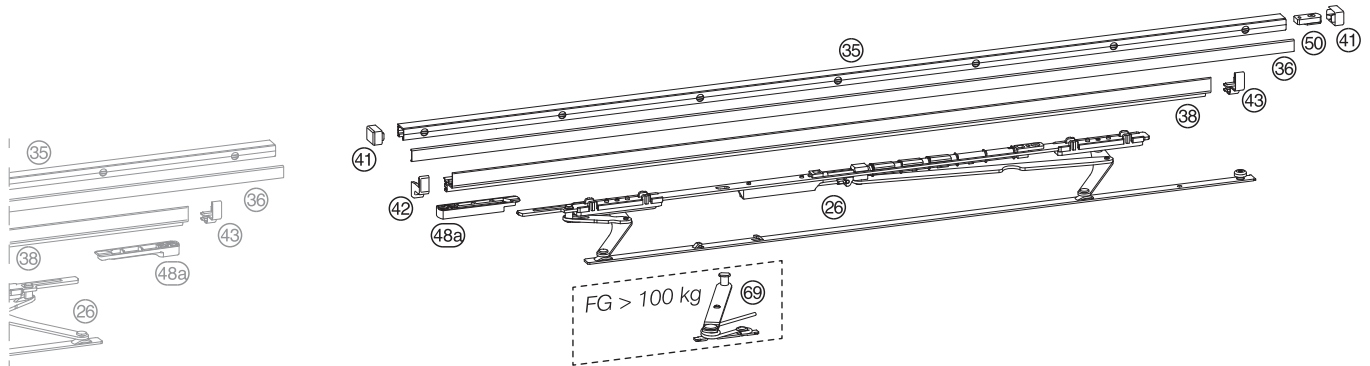
Item name	Item code					
	<b>FB</b>	<b>RAB</b>	<b>silver</b>	<b>white</b>	<b>black</b>	<b>blank</b>
<b>Rail Set 7 **</b>	1281 - 1480	3030	244558	244540	244576	244612
③⑤⑥ ③⑦⑧ ③⑨ ④⑩ ④⑪ ④⑫ ④⑬ ④⑭ ④⑮ ④⑯ ④⑰ ④⑱ ⑤⑰ ⑤⑱ ⑤⑲	1481 - 1680	3430	244561	244543	244579	244615
FB >1480 additionally: ⑤⑴	1681 - 2000	4130	244564	244546	244582	244618

\*\* The rail set 7 can be used if the fitting is > 10 mm or (profile-related) see online profile overview

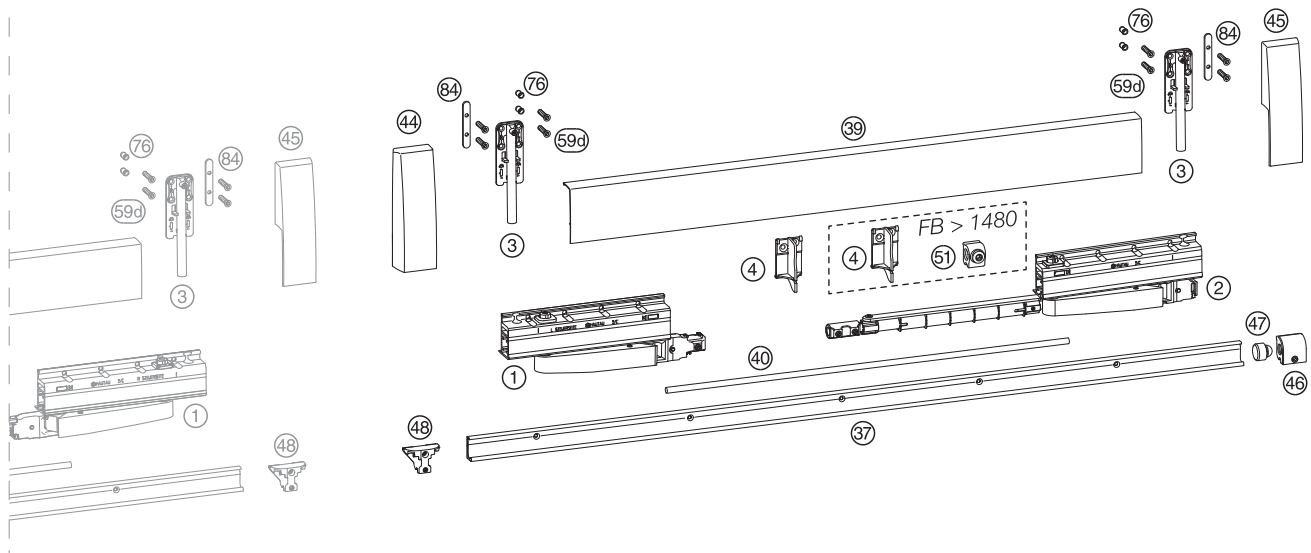
# ATRIUM Alu-SP® komfort

without locking system, sash weight up to 160 kg

160 kg



- ① Master bogie
- ② Master bogie with energy storage unit
- ③ Support arm, adjustable
- ④ Cover fillet support
- ⑤ Stay system with energy storage unit
- ⑥ Guiding rail
- ⑦ Screw cover profile (PVC)
- ⑧ Running rail
- ⑨ Holding rail
- ⑩ Cover profile, bogies
- ⑪ Connecting rod
- ⑫ Cover cap for guiding rail
- ⑬ Cover cap for holding rail, left
- ⑭ Cover cap for holding rail, right
- ⑮ Cover cap, bottom left
- ⑯ Cover cap, bottom right
- ⑰ Buffer bottom
- ⑱ Rubber mushroom part
- ⑲ Guide block, bottom
- ⑳ Guide block stay system, top
- ㉑ Buffer top
- ㉒ Support block (for FB > 1480 mm)
- ㉓ Fixing screw 4.8 x 50 (no ill.)
- ㉔ Fixing screw 3.9 x 45 (no ill.)
- ㉕ Fixing screw M5 x 25
- ㉖ Fixing screw 3.9 x 9.5 (no ill.)
- ㉗ Spring stay (for FG > 100 kg)
- ㉘ Rivet nut
- ㉙ Support set



# ATRIUM Alu-SP® komfort

without locking system, sash weight up to 160 kg

160 kg

Units for scheme

A	G	K	C	Item name	Item code						
1	1	1 L 1 R	1 L 1 R	<b>Carton bogies FG 160 kg</b> ① ② ④ ⑤9b ⑥4					left	231231	
									right	231234	
1	1	1 L 1 R	1 L 1 R	<b>BZ spring stay</b> <sup>1)</sup> ⑥9					left	240361	
									right	240364	
1	1	2	2	<b>Caps bogies, large + support arms</b> ③ ④4 ④5 ⑤9a ⑦6			<b>silver</b> 230521	<b>white</b> 230527	<b>black</b> 230524	<b>brown</b> 240418	<b>blank</b> 230518
1	1	2	2	<b>Rail set</b>	<b>FB</b>	<b>RAB</b>	<b>silver</b>	<b>white</b>	<b>black</b>	<b>brown</b>	<b>blank</b>
					790 – 930	1930	230536	230539	230530	238819	230533
					931 – 1080	2230	230548	230551	230542	238822	230545
				③5 ③6 ③7 ③8 ③9 ④0 ④1 ④2 ④3 ④6 ④7 ④8 ⑤0 ⑤9c ⑤9e	1081 – 1280	2630	230560	230563	230554	238825	230557
				also for FB >1480: ⑤1	1281 – 1480	3030	230572	230575	230566	238828	230569
					1481 – 1680	3430	230584	230587	230578	238831	230581
1	1	1 L 1 R	1 L 1 R	<b>Stay system set</b> ②6 ④8a	<b>FB</b>	<b>GR</b>				<b>left</b>	<b>right</b>
					790 – 930	900				233074	233065
					931 – 1280	1250				233077	233068
					1281 – 1680	1650				233080	233071

<sup>1)</sup> Spring stay required for sash weights of 100 kg or more; applies to range of application FB > 930 mm

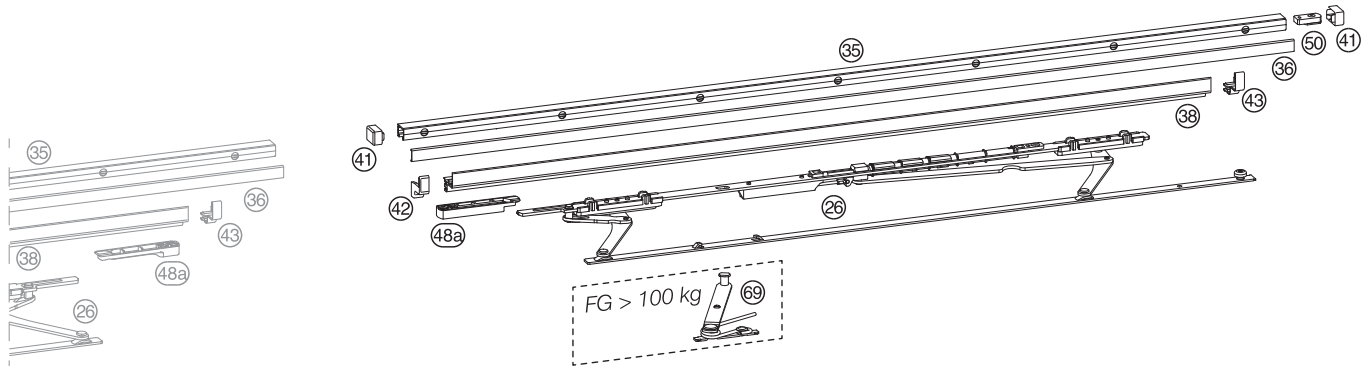
Item name	Item code					
<b>Rail Set 7 **</b>	<b>FB</b>	<b>RAB</b>	<b>silver</b>	<b>white</b>	<b>black</b>	<b>blank</b>
	790 - 930	1930	244549	244561	244567	244603
	931 - 1080	2230	244552	244534	244570	244606
③5a ③6 ③7a ③8 ③9 ④0 ④1 ④2 ④3 ④6 ④7 ④8 ⑤0 ⑤9c ⑤9e	1081 - 1280	2630	244555	244537	244573	244609
FB >1480 additionally: ⑤1	1281 - 1480	3030	244558	244540	244576	244612
	1481 - 1680	3430	244561	244543	244579	244615

\*\* The rail set 7 can be used if the fitting is > 10 mm or (profile-related) see online profile overview

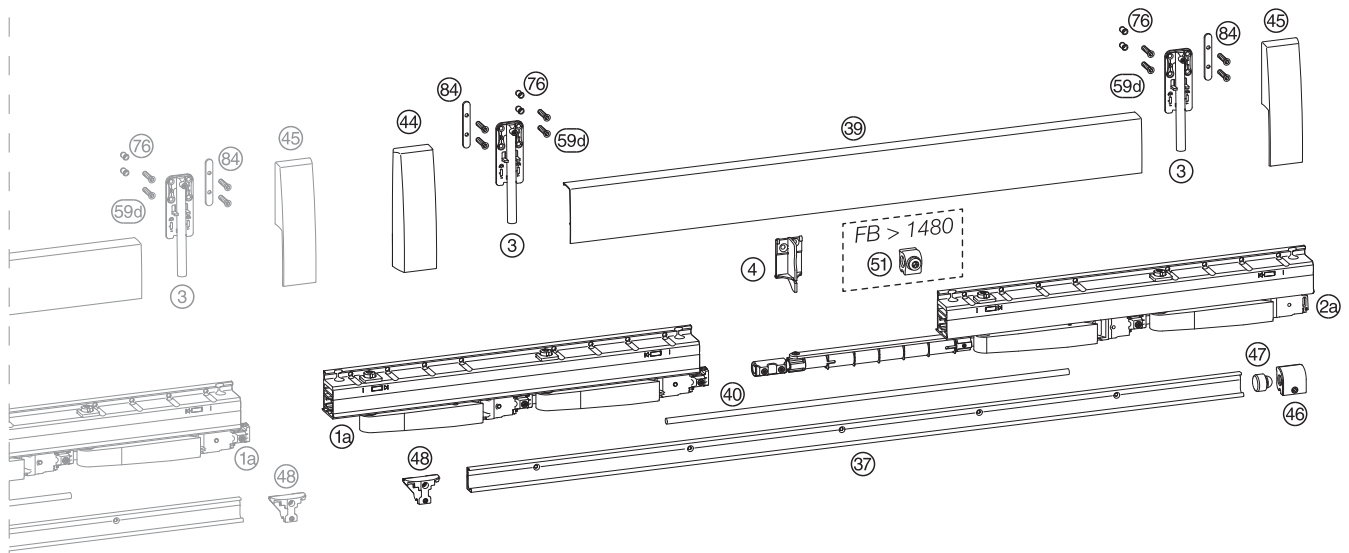
# ATRIUM Alu-SP® komfort TWIN

without locking system, sash weight up to 200 kg

200 kg



- 1a TWIN master bogie
- 2a TWIN bogie with energy storage unit
- 3 Support arm, adjustable
- 4 Cover fillet support
- 26 Stay system with energy storage unit
- 35 Guiding rail
- 36 Screw cover profile (PVC)
- 37 Running rail
- 38 Holding rail
- 39 Cover profile, bogies
- 40 Connecting rod
- 41 Cover cap for guiding rail
- 42 Cover cap for holding rail, left
- 43 Cover cap for holding rail, right
- 44 Cover cap, bottom left
- 45 Cover cap, bottom right
- 46 Buffer bottom
- 47 Rubber mushroom part
- 48 Guide block, bottom
- 48a Guide block stay system, top
- 49 Buffer top
- 51 Support block (for FB > 1480 mm)
- 59a Fixing screw 4.8 x 50 (no ill.)
- 59b Fixing screw 3.9 x 45 (no ill.)
- 59c Fixing screw M5 x 25
- 59d Fixing screw 3.9 x 9.5 (no ill.)
- 69 Spring stay (for FG > 100 kg)
- 76 Rivet nut
- 84 Support set



# ATRIUM Alu-SP® komfort

without locking system, sash weight up to 200 kg

200 kg

Units for scheme

A	G	K	C	Item name	Item code						
1	1	1 L 1 R	1 L 1 R	<b>Carton TWIN bogies FG 200 kg</b> ① ② ④ ⑤b ⑧					left right	241114 241117	
1	1	1 L 1 R	1 L 1 R	<b>BZ spring stay</b> <sup>1)</sup> ⑥					left right	240361 240364	
1	1	2	2	<b>Caps bogies, large + support arms</b> ③ ④④ ④⑤ ⑤9a ⑦			<b>silver</b> 230521	<b>white</b> 230527	<b>black</b> 230524	<b>brown</b> 240418	<b>blank</b> 230518
1	1	2	2	<b>Rail set</b> ⑤ ⑥ ⑦ ⑧ ⑨ ⑩ ⑪ ⑫ ⑬ ⑭ ⑮ ⑯ ⑰ ⑱ ⑲ ⑳ ㉑ ㉒ ㉓ also for FB >1480: ㉔	<b>FB</b> 1281 – 1480 1481 – 1680 1681 – 2000	<b>RAB</b> 3030 3430 4130	<b>silver</b> 230572 230584 230596	<b>white</b> 230575 230587 230599	<b>black</b> 230566 230578 230590	<b>brown</b> 238828 238831 238834	<b>blank</b> 230569 230581 230593
1	1	1 L 1 R	1 L 1 R	<b>Stay system set</b> ㉕ ㉖	<b>FB</b> 1281 – 1680 1681 – 2000	<b>GR</b> 1650 2000			<b>left</b> 233080 241120	<b>right</b> 233071 241123	

<sup>1)</sup> Spring stay required for sash weights of 100 kg or more; applies to range of application FB > 930 mm

Item name			Item code			
	FB	RAB	silver	white	black	blank
<b>Rail Set 7</b> **						
③⑤a ③⑥ ③⑦a ③⑧ ③⑨ ④① ④② ④③ ④④ ④⑤ ④⑥ ④⑦ ④⑧ ⑤① ⑤②c ⑤②e	1281 - 1480	3030	244558	244540	244576	244612
FB >1480 additionally: ⑤①	1481 - 1680	3430	244561	244543	244579	244615
	1681 - 2000	4130	244564	244546	244582	244618

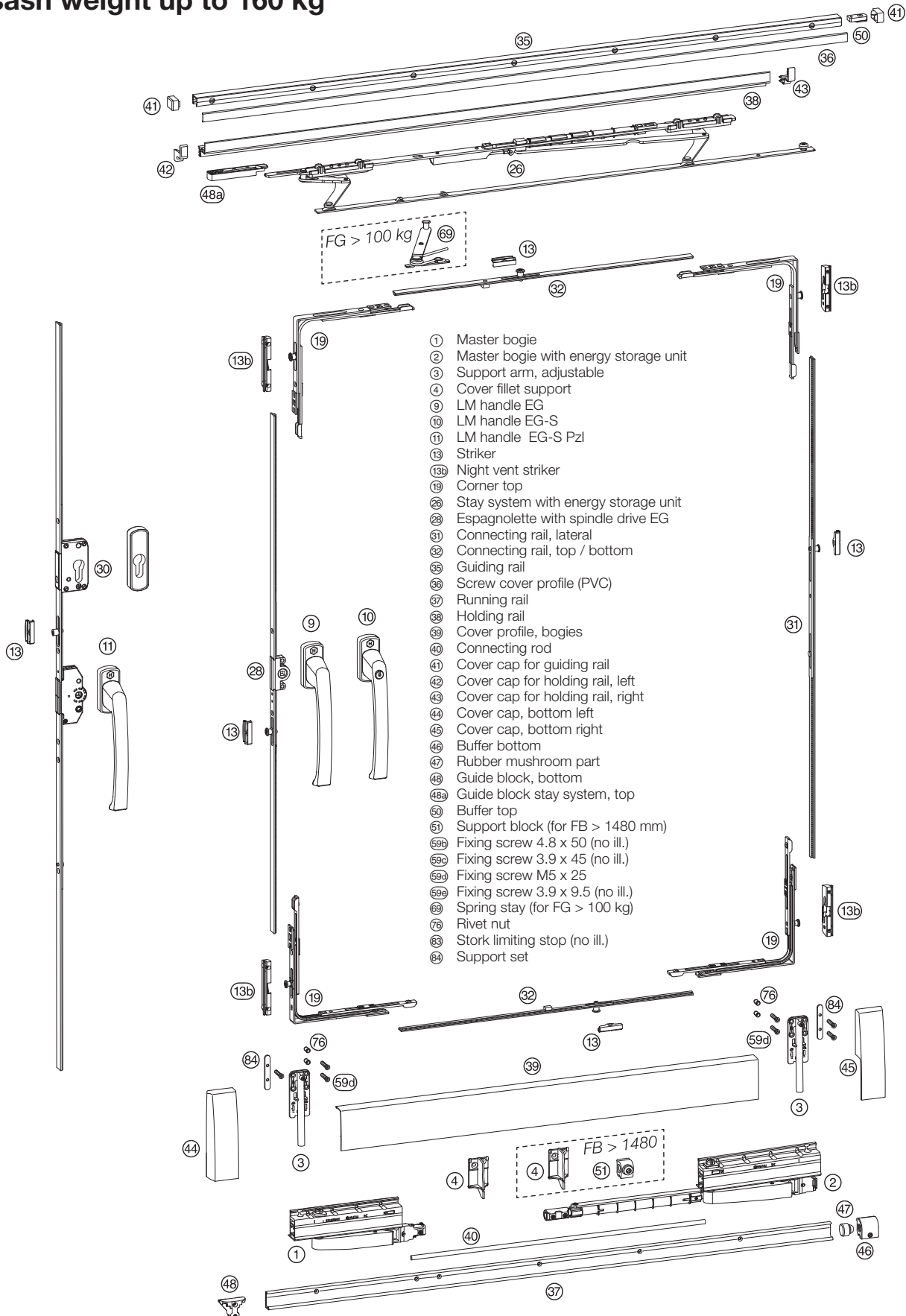
\*\* The rail set 7 can be used if the fitting is > 10 mm or (profile-related) see online profile overview

# ATRIUM Alu-SP® komfort

for aluminium systems, with KS groove (16/12)  
sash weight up to 160 kg

160 kg

16 / 12



- ① Master bogie
- ② Master bogie with energy storage unit
- ③ Support arm, adjustable
- ④ Cover fillet support
- ⑨ LM handle EG
- ⑩ LM handle EG-S
- ⑪ LM handle EG-S Pzl
- ⑬ Striker
- ⑬b Night vent striker
- ⑰ Corner top
- ⑲ Stay system with energy storage unit
- ⑳ Espagnolette with spindle drive EG
- ㉑ Connecting rail, lateral
- ㉒ Connecting rail, top / bottom
- ㉓ Guiding rail
- ㉔ Screw cover profile (PVC)
- ㉕ Running rail
- ㉖ Holding rail
- ㉗ Cover profile, bogies
- ㉘ Connecting rod
- ㉙ Cover cap for guiding rail
- ㉚ Cover cap for holding rail, left
- ㉛ Cover cap for holding rail, right
- ㉜ Cover cap, bottom left
- ㉝ Cover cap, bottom right
- ㉞ Buffer bottom
- ㉟ Rubber mushroom part
- ㊱ Guide block, bottom
- ㊱a Guide block stay system, top
- ㊱b Buffer top
- ㊱c Support block (for FB > 1480 mm)
- ㊱d Fixing screw 4.8 x 50 (no ill.)
- ㊱e Fixing screw 3.9 x 45 (no ill.)
- ㊱f Fixing screw M5 x 25
- ㊱g Fixing screw 3.9 x 9.5 (no ill.)
- ㊱h Spring stay (for FG > 100 kg)
- ㊱i Rivet nut
- ㊱j Stork limiting stop (no ill.)
- ㊱k Support set

# ATRIUM Alu-SP® komfort

for aluminium systems, with KS groove (16/12)  
sash weight up to 160 kg



Units for scheme

A	G	K	C	Item name	Item code
1	1	1 le 1 ri	1 le 1 ri	<b>Carton bogies FG 160 kg</b> ① ② ④ 59b 76 84	left 231231 right 231234
1	1	2	1 le 1 ri	<b>BZ spring stay</b> <sup>1)</sup> 69	left 240361 right 240364
1	1	2	2	<b>Caps bogies, large + support arms</b> ③ ④ ⑤ 59g 76	<b>silver</b> 230521 <b>white</b> 230527 <b>black</b> 230524 <b>brown</b> 240418 <b>blank</b> 230518
1	1	2	1	<b>BZ night vent striker</b> ⑬ ⑬b	(profile-related) see online profile overview
				<b>locking plate for additional locking points</b> ⑬	(profile-related) see online profile overview
		1	1	<b>Stork limiting stop</b> 83 (no ill.)	238250
1	1	2	2	<b>Rail set</b> Also for FB >1480 51	<b>FB</b> <b>RAB</b> <b>silver</b> <b>white</b> <b>black</b> <b>brown</b> <b>blank</b> 790 - 930   1930   230536   230539   230530   238819   230533 931 - 1080   2230   230548   230551   230542   238822   230545 1081 - 1280   2630   230560   230563   230554   238825   230557 1281 - 1480   3030   230572   230575   230566   238828   230569 1481 - 1680   3430   230584   230587   230578   238831   230581
1	1	1 le 1 ri	1 le 1 ri	<b>Stay system set</b> 26 48a	<b>FB</b> <b>GR</b> <b>left</b> <b>right</b> 790 - 900   900   233074   233065 901 - 1280   1250   233077   233068 1281 - 1680   1650   233080   233071
1	1	2	2	<b>LM handle 161 EG</b> 9 <b>LM handle 161 EG-S</b> 10 <b>LM handle 161 EG Pzl</b> 11	<b>EV1</b> <b>white</b> <b>black</b> <b>brown</b> 206206   206209   206212   207361 206215   206218   206221   207367 206224   206227   206230   207364
1	1	2	2	<b>Vertical locking , Gearbox espage, D 15</b> 28 31	<b>FH</b> <b>Handle pos.</b> <b>PU 1 set</b> <b>PU 5 sets</b> 680 - 1130   center   214014   214002 1131 - 1480   center   214017   214002 1481 - 1930   center   235192   235195 1931 - 2380   center   214023   214011
1	1	2	2	<b>Horizontal locking</b> 32	<b>FB</b> <b>GR</b> <b>PU 1 set</b> <b>PU 5 sets</b> 780 - 930   900   235174   235183 931 - 1280   1250   235177   235186 1281 - 1680   1650   235180   235189
1	1	2	2	<b>Carton of corner axis 9</b> 19	<b>PU 1 set</b> <b>PU 5 sets</b> 241737   241798

for additional handle and gear designs, see catalogue ATRIUM SP® komfort pages 38/39 and 42/43

<sup>1)</sup> Spring stay required for sash weights of 100 kg or more; applies to range of application FB > 930 mm

<sup>2)</sup> Note concerning Scheme C: The inactive sash is not equipped for night ventilation

Item name	Item code
<b>Rail Set 7 **</b>	<b>FB</b> <b>RAB</b> <b>silver</b> <b>white</b> <b>black</b> <b>blank</b>
	790 - 930   1930   244549   244561   244567   244603
③ ⑤ ⑥ ⑦ ⑧ ⑨ ⑩ ⑪ ⑫ ⑬ ⑭ ⑮ ⑯ ⑰ ⑱ ⑲ ⑳ ㉑ ㉒ ㉓ ㉔ ㉕ ㉖ ㉗ ㉘ ㉙ ㉚ ㉛ ㉜ ㉝ ㉞ ㉟	931 - 1080   2230   244552   244534   244570   244606
FB >1480 additionally: ㉞	1081 - 1280   2630   244555   244537   244573   244609
	1281 - 1480   3030   244558   244540   244576   244612
	1481 - 1680   3430   244561   244543   244579   244615

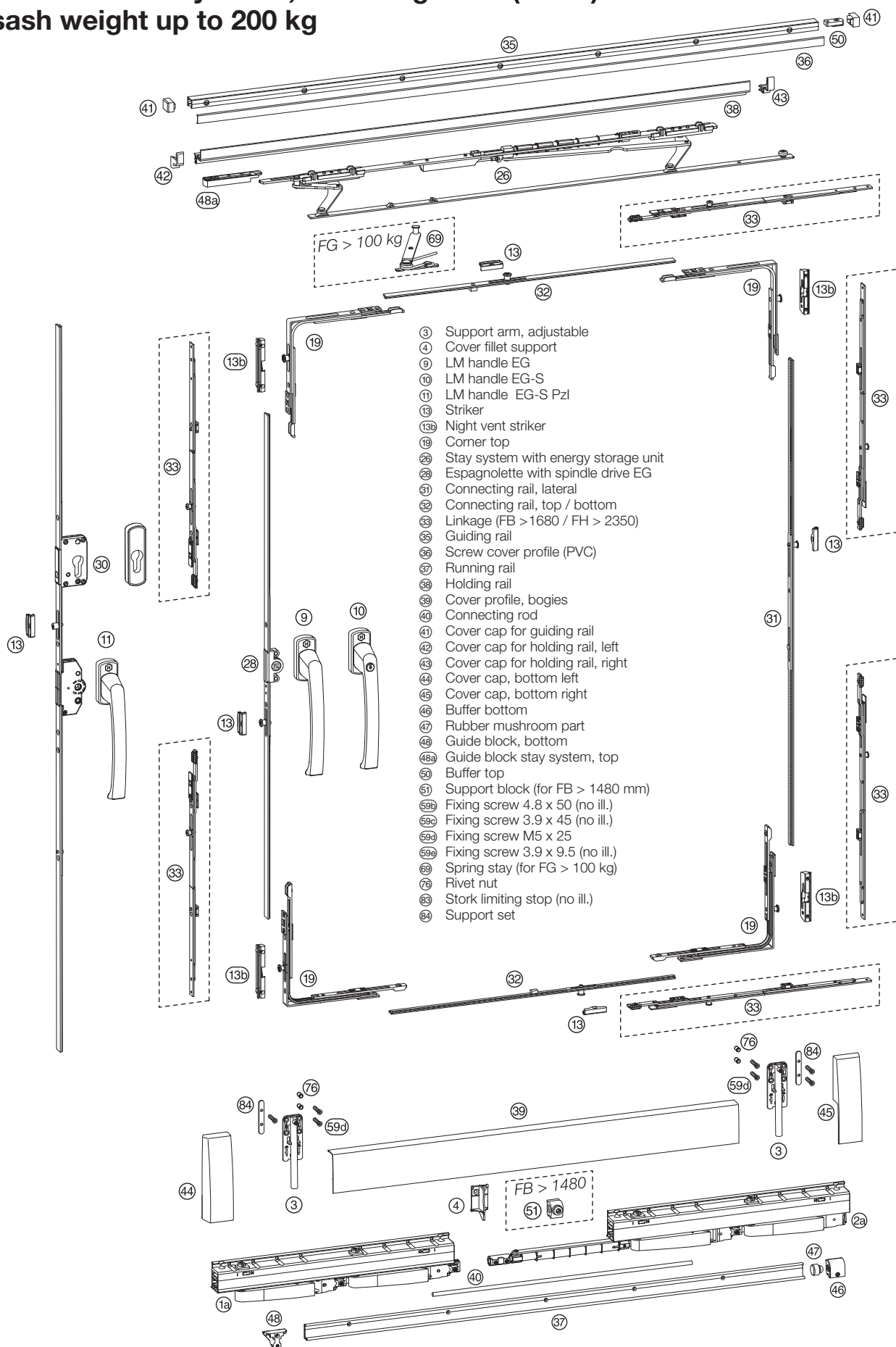
\*\* The rail set 7 can be used if the fitting is > 10 mm or (profile-related) see online profile overview

# ATRIUM Alu-SP® komfort TWIN

for aluminium systems, with KS groove (16/12)  
sash weight up to 200 kg

200  
kg

16  
12



- ③ Support arm, adjustable
- ④ Cover fillet support
- ⑨ LM handle EG
- ⑩ LM handle EG-S
- ⑪ LM handle EG-S Pzl
- ⑬ Striker
- ⑬b Night vent striker
- ⑲ Corner top
- ⑳ Stay system with energy storage unit
- ㉔ Espagnolette with spindle drive EG
- ㉕ Connecting rail, lateral
- ㉖ Connecting rail, top / bottom
- ㉗ Linkage (FB > 1680 / FH > 2350)
- ㉘ Guiding rail
- ㉙ Screw cover profile (PVC)
- ㉚ Running rail
- ㉛ Holding rail
- ㉜ Cover profile, bogies
- ㉝ Connecting rod
- ㉞ Cover cap for guiding rail
- ㉟ Cover cap for holding rail, left
- ㊱ Cover cap for holding rail, right
- ㊲ Cover cap, bottom left
- ㊳ Cover cap, bottom right
- ㊴ Buffer bottom
- ㊵ Rubber mushroom part
- ㊶ Guide block, bottom
- ㊷ Guide block stay system, top
- ㊸ Buffer top
- ㊹ Support block (for FB > 1480 mm)
- ㊺ Fixing screw 4.8 x 50 (no ill.)
- ㊻ Fixing screw 3.9 x 45 (no ill.)
- ㊼ Fixing screw M5 x 25
- ㊽ Fixing screw 3.9 x 9.5 (no ill.)
- ㊾ Spring stay (for FG > 100 kg)
- ㊿ Rivet nut
- ① Stork limiting stop (no ill.)
- ② Support set



# ATRIUM Alu-SP® komfort TWIN

for aluminium systems, with KS groove (16/12)  
sash weight up to 200 kg



Units for scheme

A	G	K	C	Item name	Item code						
1	1	2	1 le 1 ri	<b>Carton TWIN bogies FG 200 kg</b> ⑬ ⑲ ⑳ ㉑ ⑤⑨b ⑦⑥ ⑧④					left	241114	
									right	241117	
1	1	2	1 le 1 ri	<b>BZ spring stay</b> <sup>1)</sup> ⑥⑨					left	240361	
									right	240364	
1	1	2	2	<b>Caps bogies, large + support arms</b> ③ ④④ ④⑤ ⑤⑨g ⑦⑥	<b>silver</b>	<b>white</b>	<b>black</b>	<b>brown</b>	<b>blank</b>		
					230521	230527	230524	240418	230518		
1	1	2	2	<b>BZ night vent striker</b> ⑬ ⑬b	(profile-related) see online profile overview						
				<b>locking plate for additional locking points</b> ⑬	(profile-related) see online profile overview						
		1	1	<b>Stork limiting stop</b> ⑧③ (no ill.)						238250	
1	1	2	2	<b>Rail set</b> ③⑤ ③⑥ ③⑦ ③⑧ ③⑨ ④① ④② ④③ ④④ ④⑤ ④⑥ ④⑦ ④⑧ ⑤① ⑤②c ⑤②e Also for FB >1480 ⑤①	<b>FB</b>	<b>RAB</b>	<b>silver</b>	<b>white</b>	<b>black</b>	<b>brown</b>	<b>blank</b>
					1081 - 1280	2630	230560	230563	230554	238825	230557
					1281 - 1480	3030	230572	230575	230566	238828	230569
					1481 - 1680	3430	230584	230587	230578	238831	230581
				1681 - 2000	4130	230596	230599	230590	238834	230593	
1	1	1 le 1 ri	1 le 1 ri	<b>Stay system set</b> ②⑥ ④⑧a	<b>FB</b>	<b>GR</b>					
					1281 - 1680	1650		<b>left</b>	<b>right</b>		
					1681 - 2000	2000		233080	233071		
								241120	241123		
1	1	2	2	<b>LM handle 161 EG</b> ⑨ <b>LM handle 161 EG-S</b> ⑩ <b>LM handle 161 EG Pzl</b> ⑪			<b>EV1</b>	<b>white</b>	<b>black</b>	<b>brown</b>	
							206206	206209	206212	207361	
							206215	206218	206221	207367	
							206224	206227	206230	207364	
1	1	2	2	<b>Vertical locking, Gearbox espagne, D 15</b> ②⑧ ③①	<b>FH</b>	<b>Handle pos.</b>					
					680 - 1130	center	<b>PU 1 set</b>	<b>PU 5 sets</b>			
					1131 - 1480	center	214014	214002			
					1481 - 1930	center	214017	214002			
					1931 - 2380	center	235192	235195			
			2381 - 2700	center	214023	214011					
					214023*	214011*					
* in addition, 4 x set linkage 400 mm ⑧③ (Item-Code 207705) and matching striker (profile related) are required											
1	1	2	2	<b>Horizontal locking</b> ③②	<b>FB</b>	<b>GR</b>					
					1281 - 1680	1650	<b>PU 1 set</b>	<b>PU 5 sets</b>			
					1681 - 2000	1650	235180	235189			
							235180*	235189*			
* in addition, 2 x set linkage 400 mm ⑧③ (Item-Code 207705) and matching striker (profile related) are required											
1	1	2	2	<b>Carton of corner axis 9</b> ⑩					<b>PU 1 set</b>	<b>PU 5 sets</b>	
									241737	241798	

for additional handle and gear designs, see catalogue ATRIUM SP® komfort pages 38/39 and 42/43

<sup>1)</sup> Spring stay required for sash weights of 100 kg or more; applies to range of application FB > 930 mm

<sup>2)</sup> Note concerning Scheme C: The inactive sash is not equipped for night ventilation

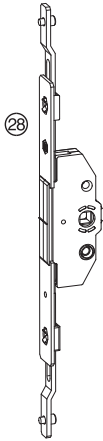
Item name	Item code					
	FB	RAB	silver	white	black	blank
<b>Rail Set 7 **</b>						
③⑤a ③⑥ ③⑦a ③⑧ ③⑨ ④① ④② ④③ ④④ ④⑤ ④⑥ ④⑦ ④⑧ ⑤① ⑤②c ⑤②e	1081 - 1280	2630	244555	244537	244573	244609
FB >1480 additionally: ⑤①	1281 - 1480	3030	244558	244540	244576	244612
	1481 - 1680	3430	244561	244543	244579	244615
	1681 - 2000	4130	244564	244546	244582	244618

\*\* The rail set 7 can be used if the fitting is > 10 mm or (profile-related) see online profile overview

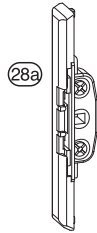
# Gear types ATRIUM Alu-SP® komfort

## Combined with an EG handle

EG



D 22,5  
27,5  
32,5  
37,5



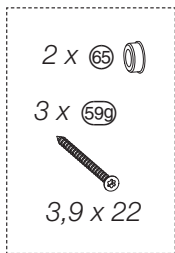
D 5,5

EG-Pz



D 27,5  
32,5  
37,5

- ⊗ Espag EG
- ⊗ 28a Espag EG without gearshift lock D10 (D6)
- ⊗ 30 Espag EG, lockable
- ⊗ 59g Fixing screw 3.9 x 22
- ⊗ 65 Reducing bush 10/6



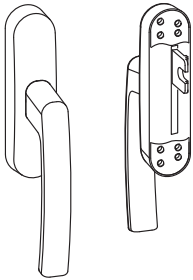
BZ espag EG

www.HAUTAU.de

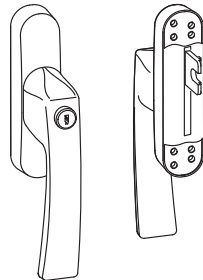
## Gear types ATRIUM Alu-SP® komfort Combined with an EG handle

Item name	Backset	Item code
<b>Gearbox espag EG</b> 28	D 22.5	161167
	D 27.5	175392
	D 32.5	176331
	D 37.5	176334
<b>Gearbox espag without gearshift lock</b> 28a	D10	241099
	D6	241102
<b>Gearbox espag EG-Pz, lockable</b> 30	D 27.5	148420
	D 32.5	156524
	D 37.5	148423
<b>BZ espag EG</b> 65 699 required		221882
<b>BZ reducing bushes (10x)</b> optional 65		232732

# Handles



⑥a HAUTAU design handle  
UG



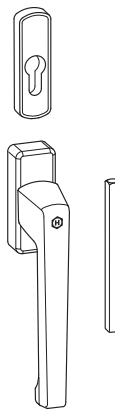
⑥b HAUTAU-design handle  
UG-S



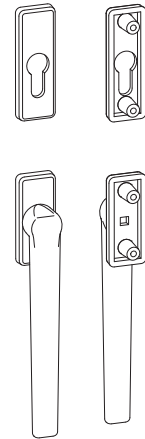
⑨ HAUTAU-design handle  
160 EG



⑩ HAUTAU-design handle  
160 EG-S

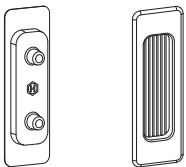


⑪ HAUTAU-design handle  
160 EG-Pzl



⑫ HAUTAU-design handle  
160 EG-PzA

**Range of application:**  
max. sash profile depth  
FT: 90 mm



⑦ External finger grip

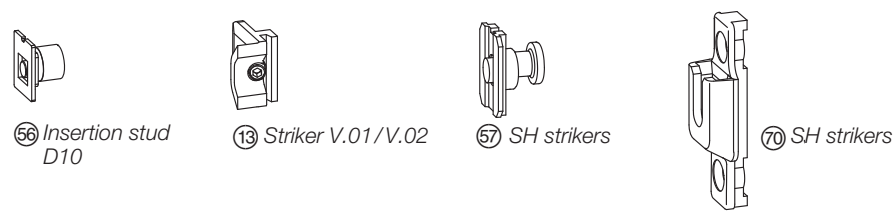
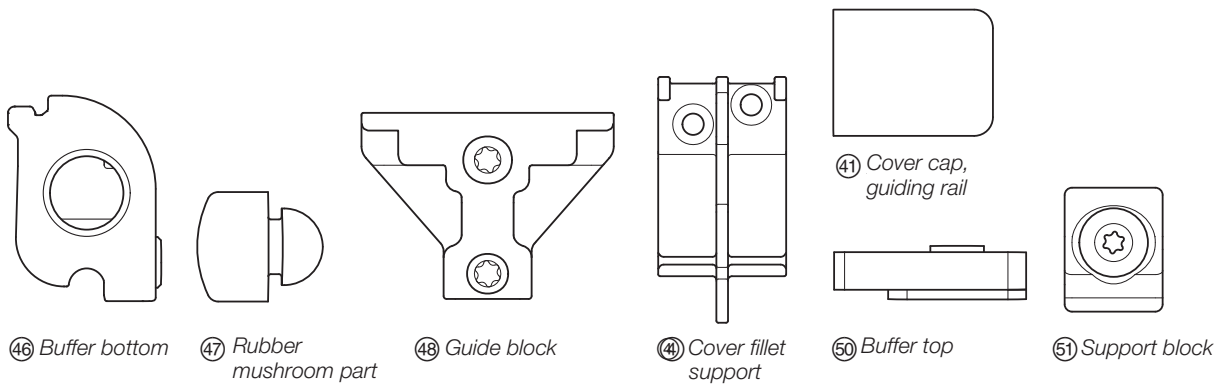
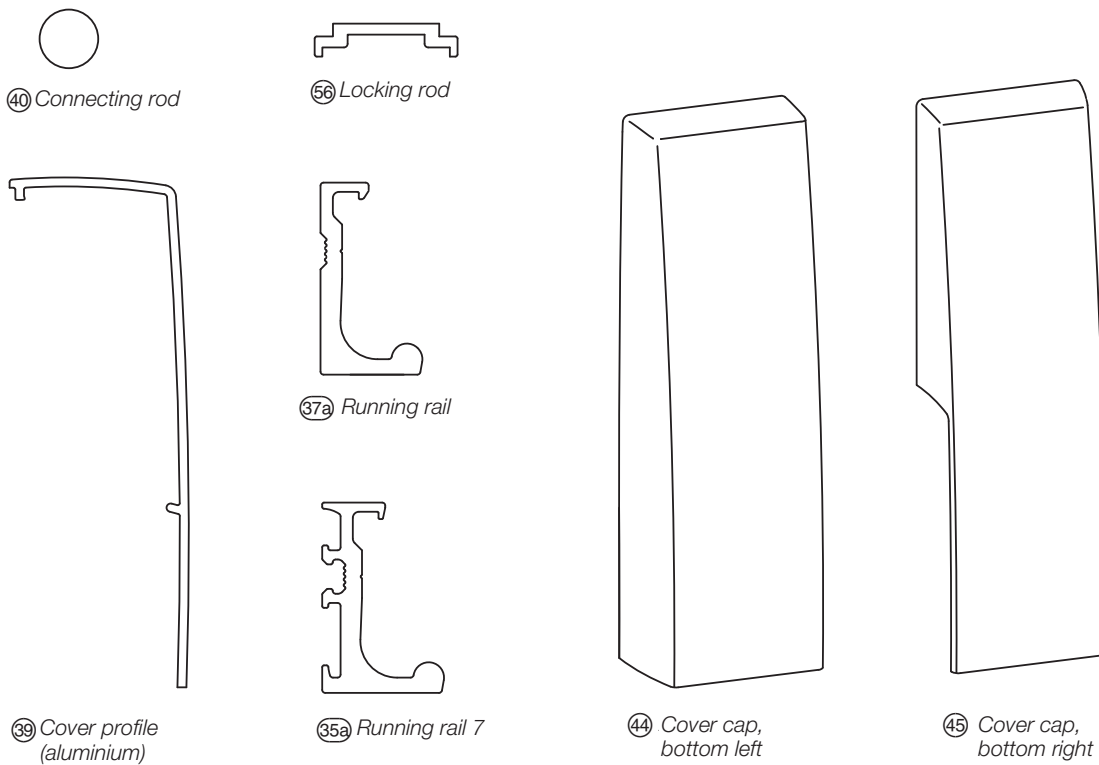
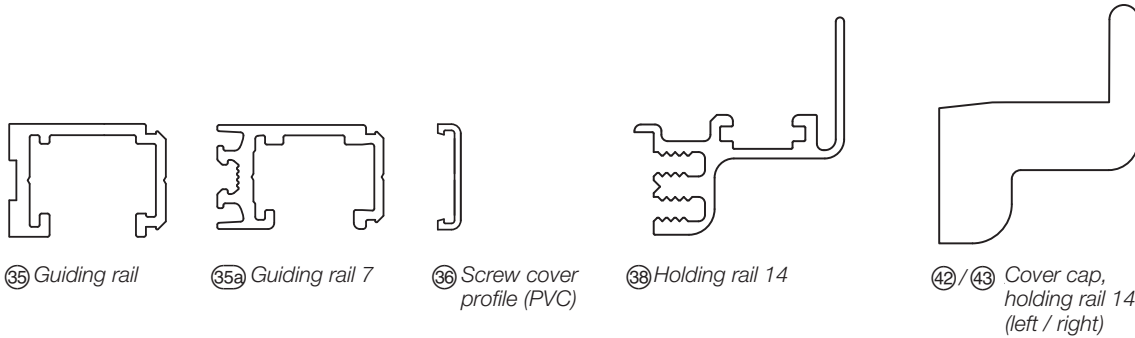
www.HAUTAU.de

# Handles

Item name		Item code				
LM handle HAUTAU design including gear with fork drive	UG ⑥a	<b>blank</b>	<b>silver</b>	<b>white</b>	<b>black</b>	<b>brown</b>
	UG-S ⑥b	178093	192478	192484	192481	192487
LM handle HAUTAU design for gearbox espags	160 EG ⑨		<b>EV1</b>	<b>white</b>	<b>black</b>	<b>brown</b>
	160 EG-S ⑩		136634	136640	136643	176808
LM handle HAUTAU design for lockable gearbox espags	160 EG PzI ⑪		<b>EV1</b>	<b>white</b>	<b>black</b>	<b>brown</b>
	160 EG PzA ⑫		138062	138068	138071	176814
External finger grip			<b>silver</b>	<b>white</b>		
			223551	223548		

# Profiles in stock lengths / accessories

## Strikers



## Profiles in stock lengths/accessories

Item name		Item code				
Guiding rail 35	L 6070 mm					<b>EV 1</b> 113066
Guiding rail 7 35a	L 6070 mm					<b>EV 1</b> 243286
Screw cover profile 36	L 6080 mm			<b>grey</b> 224346	<b>white</b> 127046	<b>black</b> 175515
Running rail 5.2 37	L 6070 mm			<b>EV 1</b> 301354	<b>C35</b> 301357	<b>C34</b> 301356
Running rail 7.2 37a	L 6070 mm				<b>EV 1</b> 301834	<b>black</b> 301835
Holding rail 38	L 5220 mm	<b>silver</b> 234656	<b>white</b> 234650	<b>black</b> 234662	<b>brown</b> 235786	<b>blank</b> 234644
Cover profile, bogies 39	L 5220 mm	<b>silver</b> 232423	<b>white</b> 232429	<b>black</b> 232426	<b>brown</b> 238695	<b>blank</b> 232432
Connecting rod D10 40	L 3600 mm					110387
BZ rail set 41 42 43 46 47 48 50 59c 59e		<b>silver</b> 230611	<b>white</b> 230614	<b>black</b> 230617	<b>brown</b> 238816	<b>blank</b> 230611
BZ caps, bogies 44 45		<b>silver</b> 228715	<b>white</b> 228721	<b>black</b> 228718	<b>brown</b> 240235	<b>blank</b> -
Locking rod 58	L 6000 mm					190294

## Strikers

Item name	Item code	
	Groove V.01	Groove V.02
<b>BZ locking parts with insertion studs D10</b> , size 10 PU (10 pairs) 13 56 for optional closing positions as specified in the note below	232801	232807
<b>BZ SH locking parts</b> , size 8 PU (8 pairs) 57 70	241126	241129

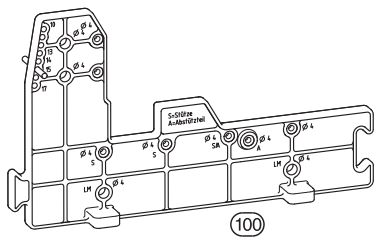
Note:

FB > 1480 mm requires 2 additional closing positions

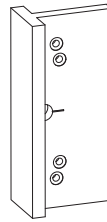
FH > 2180 mm requires 2 additional closing positions

The number of required SH strikers is profile-specific

# Montagehilfen



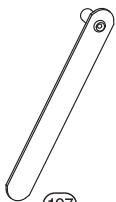
100



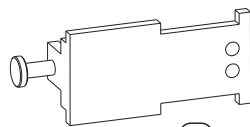
103



105



107



108



- 100 Jig for bogies, cover fillet supports, and support arms
- 103 Jig for gear with fork drive UG and UG-S
- 105 Screw jig for running rail and guiding rail
- 107 Drill centring device
- 108 Screw jig – guide block
- 122 Jig for stay system fixation



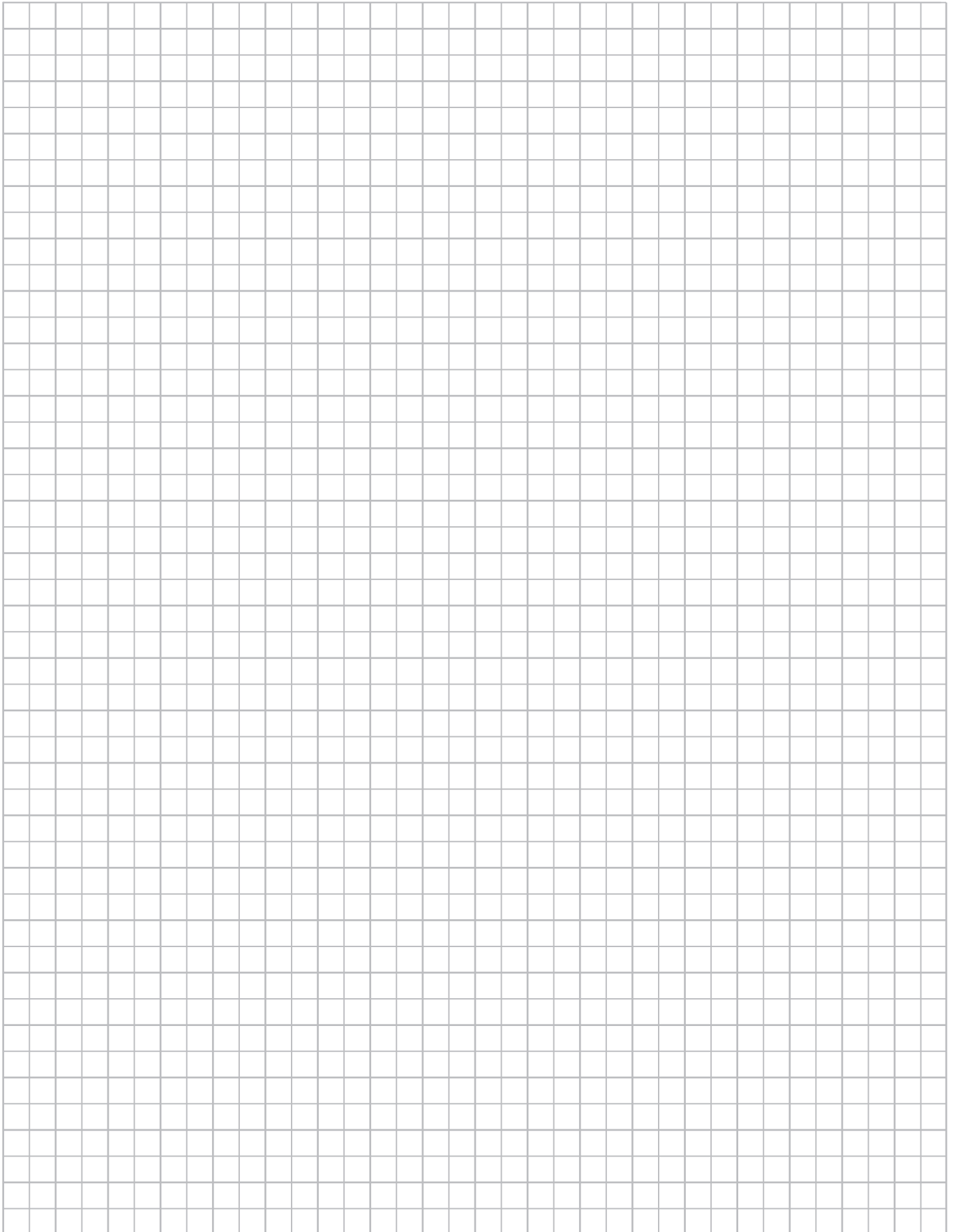
## Mounting tools

Item name	Item code
Jig for bogies, cover fillet supports, and support arms (100)	215277
Jig – handle UG (103)	173281
Screw jig- guiding rail/running rail (105)	215256
Drill centring device (107)	110747
Screw jig for guide block (108)	215301
Jig for stay system fixation (122)	243493

## Documents - overview

Document	Language	Item code
Installation instructions ATRIUM Alu-SP® komfort, FH < 2180; FB < 1280	German	235864
	English	235867
Maintenance and operating manual	International	235870
Supplementary instructions ATRIUM Alu-SP® komfort without night ventilation	German	238931
	English	238934
Supplementary instructions ATRIUM Alu-SP® komfort Scheme C	German	238943
	English	238246
Supplementary instructions ATRIUM Alu-SP® komfort RC2	German	238943
	English	238946
Supplementary instructions ATRIUM Alu-SP® komfort TWIN (>160 kg) + FH > 2180; FB > 1280	German	24135
	English	241354
Supplementary instructions ATRIUM Alu-SP® komfort fixing with screws or rivet nuts	German/English	242455

# Notes







## MADE IN GERMANY

Experience, creativity and cutting-edge expertise – HAUTAU's specialist knowledge sets benchmarks worldwide, defining technical standards to create perfection in hardware systems and window automation.

Probably more than any other company, HAUTAU has dealt with all window opening types and operation systems. Over 400 patents, numerous utility models and a global market presence serve as a testament to HAUTAU's success.