

Alu³

ALU is the basis for big ideas.

Window, door and sliding door hardware that opens up more possibilities in modern architecture and production:

- ❶ Complete hardware spectrum
- ❷ Innovative special solutions
- ❸ Efficient modular system

1

**Everything from one source:
the complete hardware
range for windows, doors
and sliding doors.**



The whole spectrum and diversity of modern hardware technology.

Herein lies the freedom of design for the solutions of tomorrow: due to its unlimited scope, our ALU complete range of window and sliding door hardware, extending to modern locking systems for entrance doors, covers all size ranges – with a versatility enabling us to supply the matching solution for all openings types and weight classes as well as for every security, comfort and design requirement.

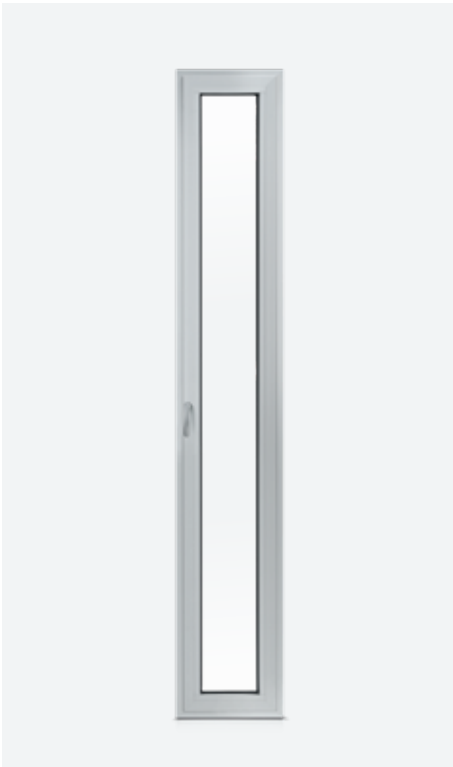


Intelligent living with smart motor function and the SIEGENIA Comfort app.

Where other systems reach their limits, our ALU complete range opens up all possibilities to fulfil the highest requirements and to set yourself apart from the rest of the market. For example, our smart drive and access control systems can be operated and monitored very conveniently and intuitively via the SIEGENIA Comfort app.

2

Complete freedom: innovative products and special architectural solutions.



Very narrow turn-only manual ventilation windows with concealed axxent hinge side.

The ALU axxent PLUS LK hinge side provides more possibilities for manual fresh air supply with a perfect façade image due to sash widths from 170 mm. Depending on the profile, the fall protection could also be omitted.



Individual special solutions for customised façades.

Future-oriented architecture often presents new demands on the hardware technology. With our 50-year expertise in residential and public buildings, we will also develop special solutions for you, testing them carefully for their practical suitability.



Concealed axxent door hinge.

So that the design is elegant and timeless, but the assembly is quick and easy, only one person is needed to lift the door sash on or off and there is complete freedom for lateral, height and pressure adjustment.



Large lift and slide elements with narrow frame widths and smart motor function.

With the PORTAL lift-slide system, you will bring more light and ease of movement into clear design concepts. When our DRIVE axxent HSA smart drive system is integrated in sashes with a weight of up to 400 kg, these can also be moved and locked via the app.

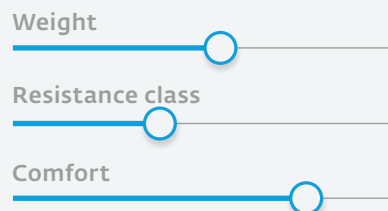
3

Everything in one modular system: for lean logistics and the simplest fabrication.



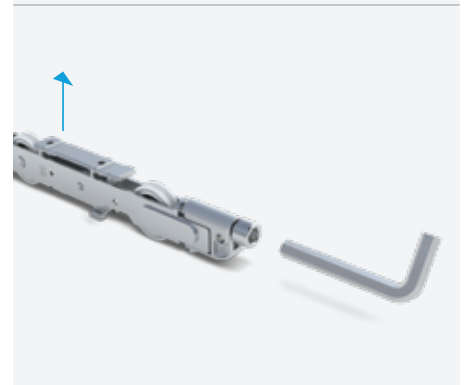
Maximum solution diversity with a minimal number of components.

The high degree of modularity allows the flexible and efficient configuration of a large range of variants. Thus all window hardware lines are only distinguished by their stay and hinge side. Our multi-point locks with uniform dimensions also offer you tangible productivity benefits.



Precisely scalable for individual requirements.

Due to the easily integrated additional components, you will have all the options for individual scalability and sustainable cost optimisation. Because you will be able to adjust your system precisely to your market and react very quickly and flexibly to increased requirements.



High degree of preassembly and optimum adjustment opportunities.

Your benefits begin in the production due to practically-oriented optimisation and innovations. Because components which are preassembled or easily clampable, as well as large adjustment ranges and clever plug & play sets, automatically provide faster procedures and greater efficiency.

Aluminium is the material that lends pioneering concepts to sashes. For this purpose, visions of the future and practical suitability must be perfectly coordinated. The know-how of over 50 years of consistent development work is contained in our ALU complete range, not just in every component, but also in the modular system, in order to fulfil these requirements.

From SIEGENIA, you can obtain a complete hardware spectrum for windows, doors and sliding doors for your aluminium systems from a single source. In stringently tested quality, with numerous innovations and with a versatility that sets standards with regard to efficiency and modularity.





« Lakhta Center, St. Petersburg

Owner: Gazprom

Architects: Gorprojekt, RMJM

Façade: Josef Gartner

IEGENIA Special solution for
1,300 pitched turn-only windows

« ADAC-Zentrale Munich

Architects: Sauerbruch Hutton

IEGENIA hardware technology for

6,100 turn-and-tilt windows and

2,000 narrow manual ventilation windows

Build upon over 50 years of expertise with aluminium: alu.siegenia.com

IEGENIA[®]
brings spaces to life

Head Office:
Industriestraße 1–3
57234 Wilnsdorf
GERMANY

Phone: +49 271 3931-0
Telefax: +49 271 3931-333
info@siegenia.com
www.siegenia.com



You can find address details for our
international sites at: www.siegenia.com

IEGENIA worldwide:

Austria Phone: +43 6225 8301

Belarus Phone: +375 17 2573988

Benelux Phone: +31 85 4861080

China Phone: +86 316 5998198

France Phone: +33 3 89618131

Germany Phone: +49 271 39310

Great Britain Phone: +44 2476 622000

Hungary Phone: +36 76 500810

India Phone: +91 124 4342302

Italy Phone: +39 02 9353601

Poland Phone: +48 77 4477700

Russia Phone: +7 495 7211762

South Korea Phone: +82 31 7985590

Switzerland Phone: +41 33 3461010

Turkey Phone: +90 216 5934151

Ukraine Phone: +380 44 4054969

Contact your dealer: